

HEATING INPUT: 60,000–120,000 BTU/H

MODULATING, VARIABLE-SPEED
ECM GAS FURNACE
UP TO 98% AFUE



Contents

Nomenclature..... 2
Product Specifications..... 3
Dimensions 4
Airflow Specifications..... 6
Wiring Diagram..... 11
Accessories 12

Standard Features

- Integrated communicating ComfortBridge™ Technology
- Commissioning and diagnostics via on board Bluetooth with the CoolCloud phone and tablet application
- Heavy-duty stainless-steel tubular heat exchanger
- Stainless-steel secondary heat exchanger
- Self-calibrating modulating gas valve auto-configure for each installation
- Durable Silicon Nitride igniter
- Quiet variable-speed induced draft blower
- Self-diagnostic control board with constant memory fault code history output to a dual 7-segment display
- Color-coded low-voltage terminals with provisions for electronic air cleaner
- Efficient and quiet variable-speed airflow system gently ramps up or down according to heating or cooling demand
- Multiple continuous fan speed options offer quiet air circulation
- Auto-Comfort and enhanced dehumidification modes available
- All models comply with California 40 ng/J Low NOx emissions standard
- Can no longer be installed in California’s South Coast Air Quality Management District (SCAQMD) on or after October 1, 2019.

Cabinet Features

- Designed for multi-position installation:
AMVM97: upflow, horizontal left or right
ACVM97: downflow, horizontal left or right
- Certified for direct vent (2-pipe) or non-direct vent (1-pipe)
- Easy-to-install top venting with optional side venting
- Convenient left or right connection for gas and electrical service
- Cabinet air leakage (Q_{Leak}) ≤ 2%
- Heavy-gauge steel cabinet with durable finish
- Fully insulated heat exchanger and blower section
- Airtight solid bottom or side return with easy-cut tabs for effortless removal in bottom air-inlet applications



COMPANY WITH QUALITY SYSTEM CERTIFIED BY DNV GL
= ISO 9001 =

COMPANY WITH ENVIRONMENTAL SYSTEM CERTIFIED BY DNV GL
= ISO 14001 =

* Complete warranty details available from your local dealer or at www.amana-hac.com. To receive the Lifetime Heat Exchanger Limited Warranty, the Lifetime Unit Replacement Limited Warranty (in both cases good for as long as you own your home), and the 10-Year Parts Limited Warranty, online registration must be completed within 60 days of installation. Online registration is not required in California or Québec.

	A	M	V	M	97	060	3	B	N	**	
	1	2	3	4	5,6	7,8,9	10	11	12	13,14	
BRAND	A- Amana® Brand										ENGINEERING
											Major / Minor Revisions * Not used for inventory control.
CONFIGURATION	M- Upflow/Horizontal C- Downflow/Horizontal										NOx
											N- Low NOx
MOTOR	V- Variable Speed ECM/ComfortBridge™ E- Multi-Speed ECM S- Single Speed										CABINET WIDTH
											B- 17½" C- 21" D- 24½"
GAS VALVE	M- Modulating C- Two- Stage S- Single Stage										MAXIMUM CFM
											2- 800 CFM 3- 1200 CFM 4- 1600 CFM 5- 2000 CFM
AFUE	97- 97% AFUE 96- 96% AFUE 92- 92% AFUE										MBTU/h
											060- 60,000 BTU/h 080- 80,000 BTU/h 100- 100,000 BTU/h 120- 120,000 BTU/h

	AMVM97 0603BNB	AMVM97 0803BNB	AMVM97 0804CNB	AMVM97 1005CNB	AMVM97 1205DNB	ACVM97 0603BNB	ACVM97 0803BNB	ACVM97 0804CNB	ACVM97 1005CNB
HEATING DATA									
High Fire Input ¹	60,000	80,000	80,000	100,000	120,000	60,000	80,000	80,000	100,000
High Fire Output ¹	58,800	77,600	78,400	97,000	116,400	58,200	77,600	77,600	97,000
Low-Fire Steady-State Input ¹	30,000	40,000	40,000	50,000	60,000	30,000	40,000	40,000	50,000
Low-Fire Steady-State Output ¹	29,400	38,800	39,200	48,500	58,200	29,100	38,800	38,800	48,500
AFUE ²	98	97	98	97	97	97	97	97	97
Temperature Rise Range (°F)	35- 65	30- 60	25- 55	35- 65	35- 65	35- 65	35- 65	35- 65	35- 65
Vent Diameter ³	2"- 3"	2"- 3"	2"- 3"	2"- 3"	2"- 3"	2"- 3"	2"- 3"	2"- 3"	2"- 3"
No. of Burners	3	4	4	5	6	3	4	4	5
CIRCULATOR BLOWER									
Available AC @ 0.5" ESP	1.5- 3	1.5- 3	1.5- 4	2- 5	2- 5	1.5- 3	1.5- 3	1.5- 4	2- 5
Size (D x W)	11" x 8"	11" x 8"	11" x 10"	11" x 10"	11" x 11"	11" x 8"	11" x 8"	11" x 10"	11" x 10"
Horsepower @ 1075 RPM	½	½	¾	1	1	½	½	¾	1
Speed	VS ECM	VS ECM	VS ECM	VS ECM	VS ECM	VS ECM	VS ECM	VS ECM	VS ECM
ELECTRICAL DATA									
Min. Circuit Ampacity ⁴	8.8	8.8	11.6	15.4	15.4	8.8	8.8	11.6	15.4
Max. Overcurrent Device (amps) ⁵	15	15	15	20	20	15	15	15	20
SHIPPING WEIGHT (LBS)									
	118	121	142	144	157	117	122	144	146

¹ Natural Gas BTU/h

² DOE AFUE based upon Isolated Combustion System (ICS)

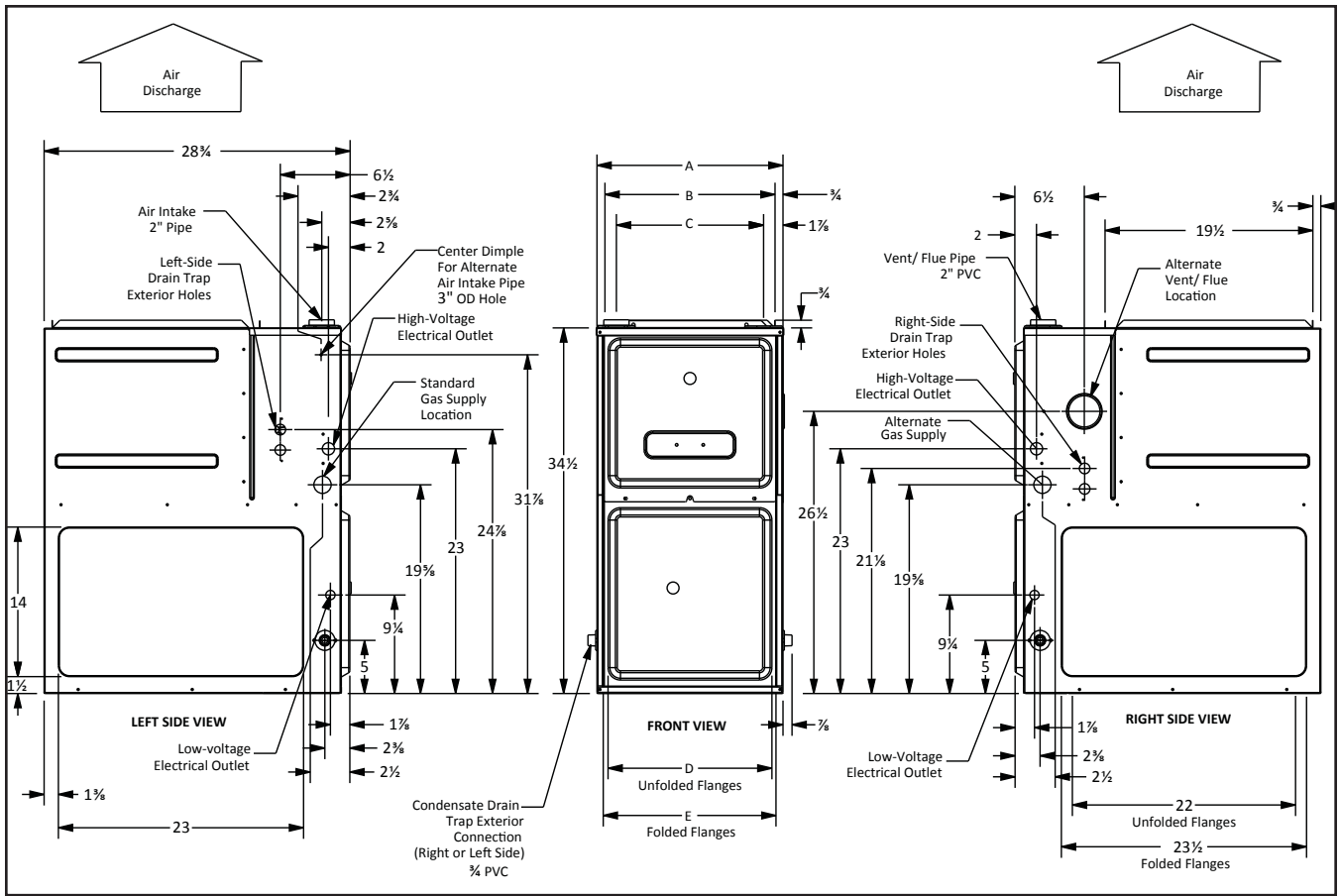
³ Installer must supply one or two PVC pipes: one for combustion air (optional) and one for the flue outlet (required). Vent pipe must be either 2" or 3" in diameter, depending upon furnace input, number of elbows, length of run and installation (1 or 2 pipes). The optional Combustion Air Pipe is dependent on installation/code requirements and must be 2" or 3" diameter PVC.

⁴ Minimum Circuit Ampacity = (1.25 x Circulator Blower Amps) + ID Blower amps. Wire size should be determined in accordance with National Electrical Codes. Extensive wire runs will require larger wire sizes.

⁵ Maximum Overcurrent Protection Device refers to maximum recommended fuse or circuit breaker size. May use fuses or HACR-type circuit breakers of the same size as noted.

NOTES

- All furnaces are manufactured for use on 115 VAC, 60 Hz, single-phase electrical supply.
- Gas Service Connection ½" FPT
- Important: Size fuses and wires properly and make electrical connections in accordance with the National Electrical Code and/or all existing local codes.
- For bottom return: Failure to unfold flanges may reduce airflow by up to 18%. This could result in performance and noise issues.
- For servicing or cleaning, a 24" front clearance is required. Unit connections (electrical, flue and drain) may necessitate greater clearances than the minimum clearances listed above. In all cases, accessibility clearance must take precedence over clearances from the enclosure where accessibility clearances are greater.



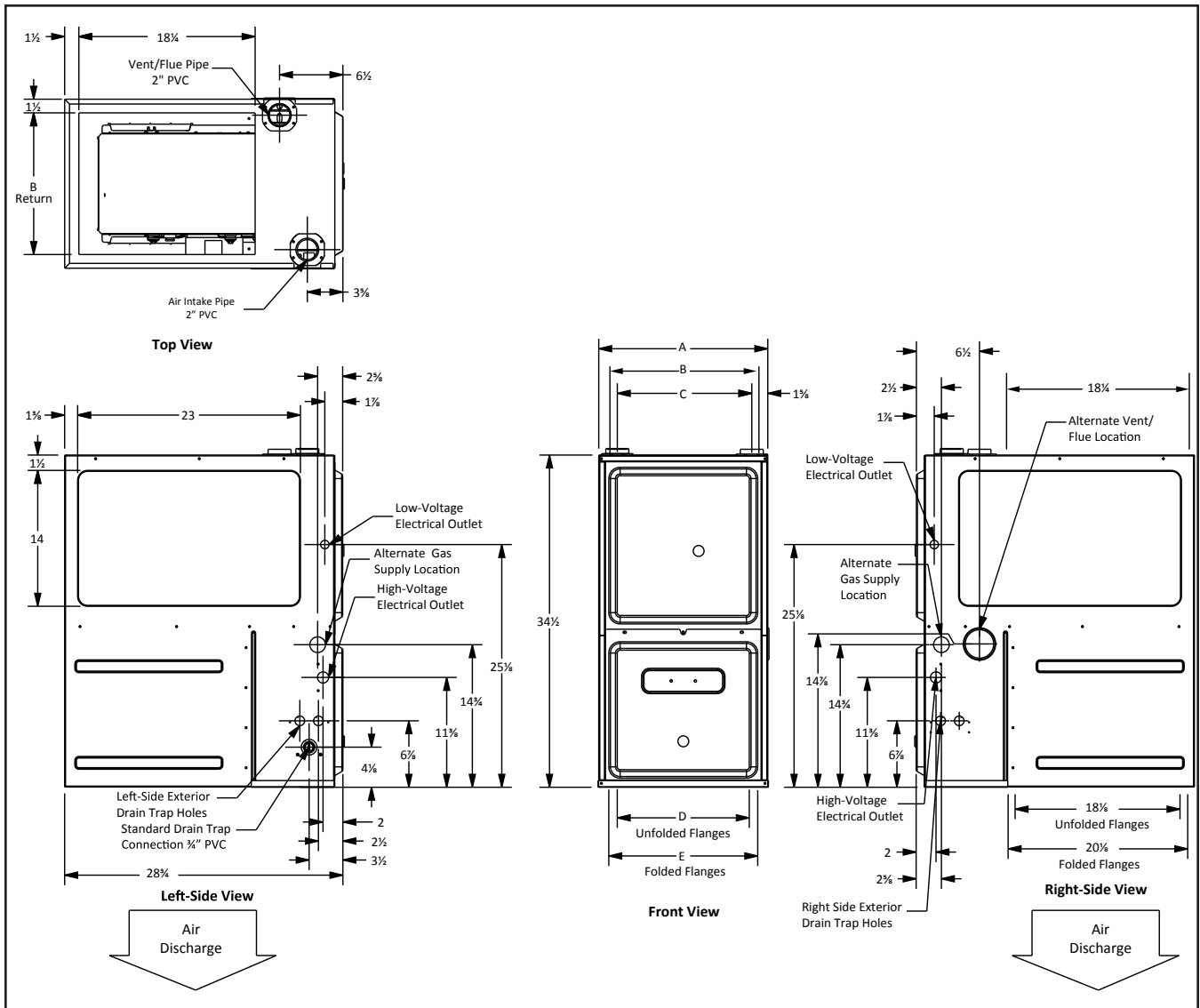
MODEL	W	D	H
AMVM970603BNB	17 1/2"	28 3/8"	34 1/2"
AMVM970803BNB	17 1/2"	28 3/8"	34 1/2"
AMVM970804CNB	21"	28 3/8"	34 1/2"
AMVM971005CNB	21"	28 3/8"	34 1/2"
AMVM971205DNB	24 1/2"	28 3/8"	34 1/2"

	AIR DISCHARGE			AIR RETURN	
	A	B	C	D	E
17 1/2"	16"	13 3/8"	12 1/8"	13 5/8"	
17 1/2"	16"	13 3/8"	12 1/8"	13 5/8"	
21"	19 1/2"	17 3/8"	16"	17 1/2"	
21"	19 1/2"	17 3/8"	16"	17 1/2"	
24 1/2"	23"	20 3/8"	19 3/8"	20 3/8"	

MINIMUM CLEARANCES TO COMBUSTIBLE MATERIALS

POSITION	SIDES	REAR	FRONT	BOTTOM	FLUE	TOP
Upflow	0"	0"	3"	C	0"	1"
Horizontal	6"	0"	3"	C	0"	6"

C = If placed on combustible floor, the floor MUST be wood ONLY.



MODEL	W	D	H
ACVM970603BNB	17 1/2"	28 7/8"	34 1/2"
ACVM970803BNB	17 1/2"	28 7/8"	34 1/2"
ACVM970804CNB	21"	28 7/8"	34 1/2"
ACVM971005CNB	21"	28 7/8"	34 1/2"

A	AIR RETURN		AIR DISCHARGE	
	B	C	D	E
17 1/2"	14 5/8"	14"	14 1/2"	13 5/8"
17 1/2"	14 5/8"	14"	14 1/2"	13 5/8"
21"	18 7/8"	17 1/2"	18"	19 1/2"
21"	18 7/8"	17 1/2"	18"	19 1/2"

MINIMUM CLEARANCES TO COMBUSTIBLE MATERIALS

POSITION	SIDES	REAR	FRONT	BOTTOM	FLUE	TOP
Downflow	0"	0"	3"	NC	0"	1"
Horizontal	6"	0"	3"	C	0"	6"

C = If placed on combustible floor, the floor MUST be wood ONLY.

NC = For installation on non-combustible floors only. A combustible floor sub-base must be used for installations on combustible flooring.

MODEL/TEMP RISE RANGE (MID RISE)	AMVM97 0603BNB* 35-65 (40)		AMVM97 0803BNB* 30-60 (45)		AMVM97 0804CNB* 25-55 (40)		AMVM97 1005CNB* 35-65 (50)		AMVM97 1205DNB* 35-65 (50)	
	CFM	RISE	CFM	RISE	CFM	RISE	CFM	RISE	CFM	RISE
Recommended cfm for 100% firing rate & expected temperature rise	1072	50	1440	50	1760	41	1780	50	1950	55
Lowest recommended cfm for 100% firing rate & expected temperature rise	820	65	1200	60	1320	55	1380	65	1670	65
Maximum cfm for 100% firing rate & expected temperature rise	1400	39	1650	44	1760	41	2200	41	2200	49

NOTE: Low Heat CFM = High Heat CFM X .7. Low Heat Temperature Rise Is Expected to Equal High Heat Temperature Rise ± 5% 0140F02402-A

AMVM970603BNB*
COOLING SPEED
(@ .1" - .8" w.c. ESP)

TONS	HIGH-STAGE	LOW-STAGE CFM
1.5	600	420
2	800	560
2.5	1000	700
3	1200	840
MAX	1,400	

AMVM970803BNB*
COOLING SPEED
(@ .1" - .8" w.c. ESP)

TONS	HIGH-STAGE	LOW-STAGE CFM
1.5	600	420
2	800	560
2.5	1000	700
3	1200	840
MAX	1,650	

AMVM970804CNB*
COOLING SPEED
(@ .1" - .8" w.c. ESP)

TONS	HIGH-STAGE	LOW-STAGE CFM
2	800	560
2.5	1000	700
3	1200	840
4	1600	1120
MAX	1,760	

AMVM971005CNB*
COOLING SPEED
(@ .1" - .8" w.c. ESP)

TONS	HIGH-STAGE	LOW-STAGE CFM
2	800	560
3	1200	840
4	1600	1120
5	2000	1400
MAX	2,200	

AMVM971205DNB*
COOLING SPEED
(@ .1" - .8" w.c. ESP)

TONS	HIGH-STAGE	LOW-STAGE CFM
2	800	560
3	1200	840
4	1600	1120
5	2000	1400
MAX	2,200	

All furnaces ship as high speed for cooling. Installer must adjust blower speed as needed.
For most jobs, about 400 CFM per ton when cooling is desirable.
Do not operate above .5" w.c. ESP in heating mode. Operating CFM between .5" and .8" w.c. is tabulated for cooling purposes only.

MINIMUM FILTER SIZES

	AMVM97 0603BNB	AMVM97 0803BNB	AMVM97 0804CNB	AMVM97 1005CNB	AMVM97 1205DNB
Filter Sizes (in ²) (Qty)	(1) 16 x 25 (side or bottom)			(1) 20 x 25 (bottom) or (2) 16 x 25 (side)	

Note: Other size filters of equal or greater dimensions may be used. Filters may also be centrally located.

MODEL/TEMP RISE RANGE (MID RISE)	ACVM97 0603BNB* 35-65 (40)		ACVM97 0803BNB* 35-65 (50)		ACVM97 0804CNB* 35-65 (50)		ACVM97 1005CNB* 35-65 (50)	
	CFM	RISE	CFM	RISE	CFM	RISE	CFM	RISE
Recommended cfm for 100% firing rate & expected temperature rise	1080	50	1440	50	1430	50	1800	50
Lowest recommended cfm for 100% firing rate & expected temperature rise	830	65	1100	65	1100	65	1380	65
Maximum cfm for 100% firing rate & expected temperature rise	1400	38	1550	46	1760	41	2200	41

NOTE: Low Heat CFM = High Heat CFM X .7. Low Heat Temperature Rise Is Expected to Equal High Heat Temperature Rise ± 5% 0140F02402-A

ACVM970603BNB*
COOLING SPEED
(@ .1" - .8" w.c. ESP)

TONS	HIGH-STAGE	LOW-STAGE CFM
1.5	600	420
2	800	560
2.5	1000	700
3	1200	840
MAX	1,400	

ACVM970803BNB*
COOLING SPEED
(@ .1" - .8" w.c. ESP)

TONS	HIGH-STAGE	LOW-STAGE CFM
1.5	600	420
2	800	560
2.5	1000	700
3	1200	840
MAX	1,650	

ACVM970804CNB*
COOLING SPEED
(@ .1" - .8" w.c. ESP)

TONS	HIGH-STAGE	LOW-STAGE CFM
2	800	560
2.5	1000	700
3	1200	840
4	1600	1120
MAX	1,760	

ACVM971005CNB*
COOLING SPEED
(@ .1" - .8" w.c. ESP)

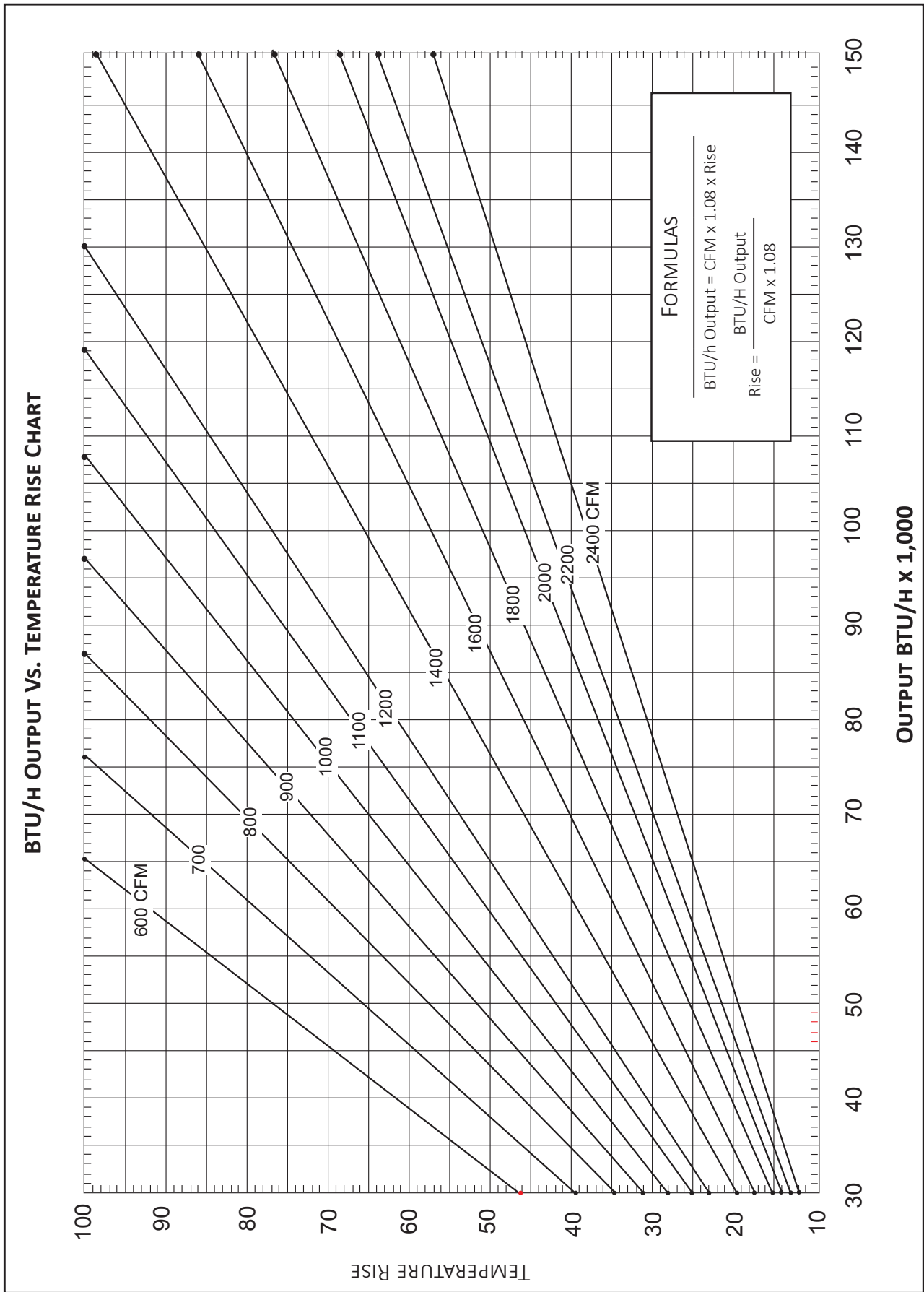
TONS	HIGH-STAGE	LOW-STAGE CFM
2	800	560
3	1200	840
4	1600	1120
5	2000	1400
MAX	2,200	

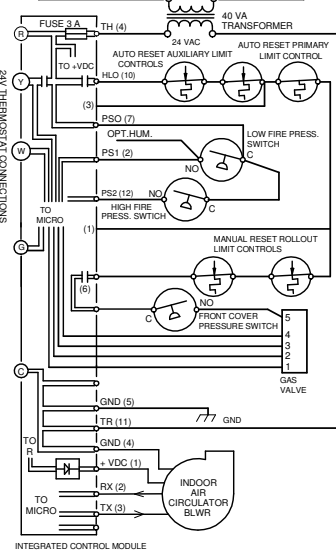
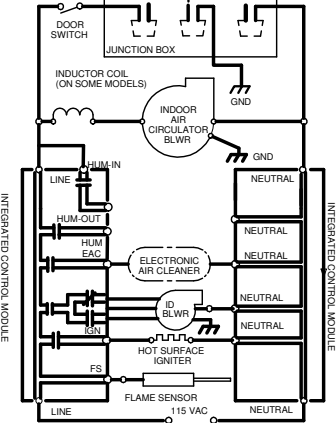
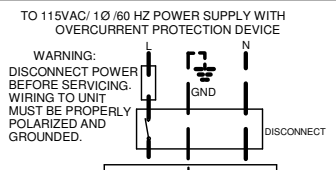
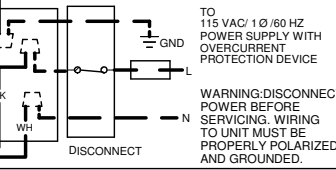
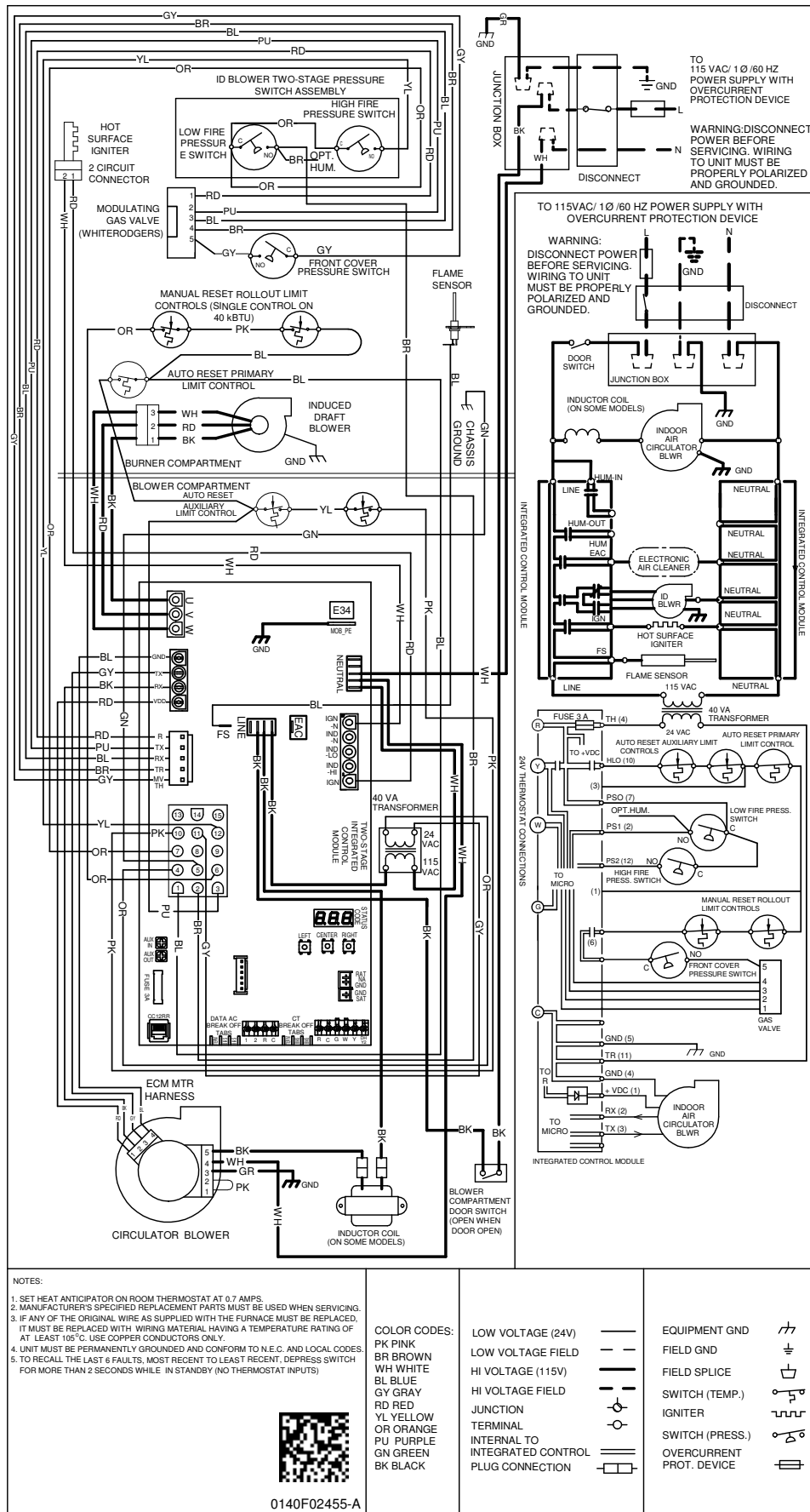
All furnaces ship as high speed for cooling. Installer must adjust blower speed as needed.
For most jobs, about 400 CFM per ton when cooling is desirable.
Do not operate above .5" w.c. ESP in heating mode. Operating CFM between .5" and .8" w.c. is tabulated for cooling purposes only.

MINIMUM FILTER SIZES

	ACVM97 0603BNB	ACVM97 0803BNB	ACVM97 0804CNB	ACVM97 1005CNB
Filter Sizes (in ²) (Qty)	(2) 10 x 20 or (1) 16 x 25 (top return)			(2) 14 x 20 or (1) 20 x 25 (top return)

Note: Other size filters of equal or greater dimensions may be used. Filters may also be centrally located.





WARNING

High Voltage: Disconnect all power before servicing or installing this unit. Multiple power sources may be present. Failure to do so may cause property damage, personal injury, or death.

Wiring is subject to change. Always refer to the wiring diagram on the unit for the most up-to-date wiring.

ACCESSORIES

MODEL	DESCRIPTION	AMVM97 0603BNB	AMVM97 0803BNB	AMVM97 0804CNB	AMVM97 1005CNB	AMVM97 1205DNB
72950	Concentric Vent Kit (2")	√	√	√	√	√
72951	Concentric Vent Kit (3")	√	√	√	√	√
RF000142	Drain Kit-Horizontal Left Vertical Flue	√	√	√	√	√
EFRO2	External Filter Rack with 16" x 25" Permanent Filter	√	√	√	√	√
0170K00000S	Flush Mount Vent Kit- 3" or 2"	√	√	√	√	√
0170K00001S	Flush Mount Vent Kit- 2"	√	√	√	√	√
AFE18-60A	Fossil Fuel (Dual Fuel) Kit	√	√	√	√	√
LPLP04	Low LP Gas Pressure Switch	√	√	√	√	√
LPM-10	LP Conversion Kits	√	√	√	√	√
HAMFK-01	High Altitude Kit	√	√	√	√	√

NOTES

√ Indicates available for this model

- For installation in Canada, gas furnaces are certified only to 4,500'.

MODEL	DESCRIPTION	ACVM97 0603BNB	ACVM97 0803BNB	ACVM97 0804CNB	ACVM97 1005CNB
72950	Concentric Vent Kit (2")	√	√	√	√
72951	Concentric Vent Kit (3")	√	√	√	√
CFSB17	Downflow Sub-Base 17.5"	√	√	---	---
CFSB21	Downflow Sub-Base 21"	---	---	√	√
0170K00000S	Flush Mount Vent Kit- 3" or 2"	√	√	√	√
0170K00001S	Flush Mount Vent Kit- 2"	√	√	√	√
AFE18-60A	Fossil Fuel (Dual Fuel) Kit	√	√	√	√
LPLP04	Low LP Gas Pressure Switch	√	√	√	√
LPM-10	LP Conversion Kits	√	√	√	√
HAMFK-01	High Altitude Kit	√	√	√	√

NOTES

√ Indicates available for this model

- For installation in Canada, gas furnaces are certified only to 4,500'.