

COOLING CAPACITY: 18,000 - 60,000 BTU/H

HEATING CAPACITY: 18,000 - 59,000 BTU/H

**HIGH-EFFICIENCY  
 SPLIT SYSTEM HEAT PUMP  
 UP TO 16 SEER & 9.5 HSPF**



### Contents

Nomenclature.....	2
Product Specifications.....	3
Expanded Cooling Data.....	4
Expanded Heating Data.....	18
Performance Data.....	20
Dimensions.....	21
Wiring Diagrams.....	22
Accessories.....	24

### Standard Features

- High-efficiency scroll compressor
- Advanced Copeland® CoreSense technology
- High density foam compressor sound blanket
- SmartShift® technology to ensure quiet reliable defrost
- Single-speed PSC condenser fan motor
- Factory-installed bi-flow liquid-line filter drier
- Factory-installed suction-line accumulator
- Factory-installed compressor crankcase heater
- Factory-installed high-capacity muffler
- Service valves with sweat connections and easy access to gauge ports
- Copper tube / enhanced aluminum fin coil
- AHRI Certified; ETL Listed

### Cabinet Features

- Heavy-gauge galvanized steel enclosure with sound-control top
- Wire fan discharge grille
- Steel louver coil guard
- Baked-on powder-paint finish
- Top and side maintenance access
- Single-panel access to controls with space provided for field-installed accessories
- When properly anchored, meets the 2017 Florida Building Code unit integrity requirements for hurricane-type winds (Anchor bracket kits available.)



Proper sizing and installation of equipment is critical to achieving optimal performance. Split system air conditioners and heat pumps must be matched with appropriate coil components to meet ENERGY STAR® criteria. Ask your contractor for details or visit [www.energystar.gov](http://www.energystar.gov).









COMPANY WITH  
 QUALITY SYSTEM  
 CERTIFIED BY DNV GL  
 = ISO 9001 =

COMPANY WITH  
 ENVIRONMENTAL SYSTEM  
 CERTIFIED BY DNV GL  
 = ISO 14001 =

\* Complete warranty details available from your local dealer or at [www.amana-hac.com](http://www.amana-hac.com). To receive the Lifetime Unit Replacement Limited Warranty (good for as long as you own your home) and 10-Year Parts Limited Warranty, online registration must be completed within 60 days of installation. Online registration is not required in California or Québec.

	A	S	Z	16	036	1	AA		
	1	2	3	4,5	6,7,8	9	10,11		
<b>Brand</b>	A Amana® Brand						<b>Engineering *</b>		
							Major/ Minor Revisions		
							* Not used for order or inventory control		
<b>Product Category</b>	S Split System						<b>Electrical</b>		
	N Nominal Split System						1- 208/230 V, 1 Phase, 60 Hz		
<b>Unit Type</b>	X Condenser R-410A						<b>Nominal Capacity</b>		
	Z Heat Pump R-410A						018	1½ Tons	042 3½ Tons
							024	2 Tons	048 4 Tons
							030	2½ Tons	060 5 Tons
							036	3 Tons	
<b>Efficiency</b>	13 13 SEER		16 16 SEER						
	14 14 SEER		18 18 SEER						

	ASZ16 0181L*	ASZ16 0241L*	ASZ16 0301L*	ASZ16 0361L*	ASZ16 0421L*	ASZ16 0481L*	ASZ16 0601L*
<b>NOMINAL CAPACITIES</b>							
Cooling (BTU/h)	18,000	24,000	30,000	36,000	42,000	48,000	60,000
Heating (BTU/h)	18,000	24,000	30,000	36,000	42,000	48,000	60,000
SEER / EER	16/13	16/13	16/13	16/13	16/13	16/13	16/12.5
Decibels	72	75	75	73	73	74	76
<b>COMPRESSOR</b>							
RLA	9.0	10.9	13.4	14.1	16.7	19.9	28.8
LRA	47.5	62.9	72.5	72.2	109.0	109.0	152.9
Type	Scroll	Scroll	Scroll	Scroll	Scroll	Scroll	Scroll
<b>CONDENSER FAN MOTOR</b>							
Horsepower	1/6	1/6	1/6	1/4	1/4	1/4	1/6
FLA	0.95	1.1	1.1	1.3	1.4	1.3	1
<b>REFRIGERATION SYSTEM</b>							
Refrigerant Line Size <sup>1</sup>							
Liquid Line Size ("O.D.)	3/8"	3/8"	3/8"	3/8"	3/8"	3/8"	3/8"
Suction Line Size ("O.D.)	3/4"	3/4"	3/4"	7/8"	1 1/8"	1 1/8"	1 1/8"
Refrigerant Connection Size							
Liquid Valve Size ("O.D.)	3/8"	3/8"	3/8"	3/8"	3/8"	3/8"	3/8"
Suction Valve Size ("O.D.)	3/4"	3/4"	7/8"	7/8"	7/8"	7/8"	7/8"
Valve Connection Type	Sweat	Sweat	Sweat	Sweat	Sweat	Sweat	Sweat
Refrigerant Charge (oz.)	140	150	160	175	180	231	291
<b>ELECTRICAL DATA</b>							
Volts/Phase (60 Hz)	208/230	208/230	208/230	208/230	208/230	208/230	208/230
Minimum Circuit Ampacity <sup>2</sup>	12.2	14.7	18.0	18.9	22.3	26.2	37
Max. Overcurrent Protection <sup>3</sup>	20	25	30	30	35	45	60
Min / Max Volts	197/253	197/253	197/253	197/253	197/253	197/253	197/253
Electrical Conduit Size	1/2" or 3/4"	1/2" or 3/4"	1/2" or 3/4"	1/2" or 3/4"	1/2" or 3/4"	1/2" or 3/4"	1/2" or 3/4"
<b>UNIT WEIGHTS</b>							
Equipment Weight	174	180	186	220	226	250	306
Shipping Weight	189	200	206	240	237	270	326
<b>ENERGY STAR® CERTIFIED <sup>^</sup></b>							NO

<sup>^</sup> Proper sizing and installation of equipment is critical to achieving optimal performance. Split system air conditioners and heat pumps must be matched with appropriate coil components to meet ENERGY STAR criteria. Ask your contractor for details or visit [www.energystar.gov](http://www.energystar.gov). The [www.energystar.gov](http://www.energystar.gov) website provides up-to-date system combinations certified to meet ENERGY STAR requirements.

<sup>1</sup> Tested and rated in accordance with AHRI Standard 210/240

<sup>2</sup> Wire size should be determined in accordance with National Electrical Codes; extensive wire runs will require larger wire sizes

<sup>3</sup> Must use time-delay fuses or HACR-type circuit breakers of the same size as noted.

**NOTES**

- Always check the S&R plate for electrical data on the unit being installed.
- Installer will need to supply 3/8" to 1 1/8" adapters for suction line connections.
- Unit is charged with refrigerant for 15' of 3/8" liquid line. System charge must be adjusted per Installation Instructions Final Charge Procedure.
- Installation of these units requires the specified TXV Kit to be installed on the indoor coil. THE SPECIFIED TXV IS DETERMINED BY THE OUTDOOR UNIT NOT THE INDOOR COIL.

IDB	AIRFLOW	OUTDOOR AMBIENT TEMPERATURE																								
		65°F				75°F				85°F				95°F				105°F				115°F				
		59	63	67	71	59	63	67	71	59	63	67	71	59	63	67	71	59	63	67	71	59	63	67	71	
70	525	MBh	18.3	18.6	19.1	-	18.1	18.4	19.0	-	17.7	17.9	18.5	-	16.8	17.1	17.7	-	15.8	16.1	16.6	-	14.9	15.2	15.7	-
		S/T	0.62	0.54	0.41	-	0.63	0.55	0.41	-	0.65	0.58	0.44	-	1.00	0.60	0.46	-	1.00	0.62	0.48	-	1.00	0.67	0.53	-
		Δ T	20	18	14	-	20	18	14	-	20	18	15	-	20	18	14	-	19	18	14	-	21	19	15	-
	600	KW	0.99	0.99	0.99	-	1.11	1.11	1.11	-	1.25	1.25	1.24	-	1.39	1.39	1.39	-	1.56	1.55	1.55	-	1.75	1.74	1.74	-
		Amps	4.2	4.2	4.2	-	4.7	4.7	4.7	-	5.4	5.4	5.3	-	6.0	6.0	6.0	-	6.8	6.8	6.8	-	7.6	7.6	7.6	-
		HI/PR	233	234	236	-	270	271	272	-	308	309	311	-	350	351	352	-	394	395	397	-	442	443	445	-
675	LO/PR	127	129	132	-	135	137	140	-	142	143	147	-	148	149	152	-	153	155	158	-	160	162	165	-	
	MBh	18.6	18.8	19.4	-	18.4	18.6	19.2	-	17.9	18.2	18.7	-	17.1	17.3	17.9	-	16.1	16.3	16.9	-	15.2	15.4	16.0	-	
	S/T	0.68	0.61	0.47	-	0.69	0.61	0.47	-	1.00	0.64	0.50	-	1.00	0.66	0.52	-	1.00	0.68	0.54	-	1.00	1.00	0.59	-	
75	525	Δ T	19	17	13	-	19	17	13	-	19	17	14	-	19	17	13	-	18	16	13	-	19	18	14	-
		KW	1.00	1.00	1.00	-	1.12	1.12	1.12	-	1.25	1.25	1.25	-	1.40	1.40	1.40	-	1.56	1.56	1.56	-	1.75	1.75	1.75	-
		Amps	4.2	4.2	4.2	-	4.8	4.8	4.8	-	5.4	5.4	5.4	-	6.1	6.0	6.0	-	6.8	6.8	6.8	-	7.7	7.7	7.7	-
	600	HI/PR	235	236	238	-	272	273	274	-	310	311	313	-	352	353	354	-	396	397	399	-	444	445	447	-
		LO/PR	129	131	134	-	137	138	142	-	144	145	148	-	149	151	154	-	155	157	160	-	162	164	167	-
		MBh	18.8	19.1	19.6	-	18.7	18.9	19.5	-	18.2	18.5	19.0	-	17.4	17.6	18.2	-	16.4	16.6	17.2	-	15.5	15.7	16.3	-
675	S/T	0.72	0.64	0.50	-	0.73	0.65	0.51	-	1.00	0.67	0.53	-	1.00	0.69	0.55	-	1.00	0.72	0.58	-	1.00	1.00	0.63	-	
	Δ T	18	16	12	-	18	16	12	-	18	16	13	-	18	16	12	-	17	16	12	-	19	17	13	-	
	KW	1.00	1.00	1.00	-	1.12	1.12	1.12	-	1.26	1.26	1.26	-	1.40	1.40	1.40	-	1.57	1.57	1.56	-	1.76	1.76	1.75	-	
75	525	Amps	4.2	4.2	4.2	-	4.8	4.8	4.8	-	5.4	5.4	5.4	-	6.1	6.1	6.1	-	6.8	6.8	6.8	-	7.7	7.7	7.7	-
		HI/PR	237	238	240	-	274	275	276	-	312	313	315	-	354	355	356	-	398	399	401	-	446	447	449	-
		LO/PR	131	133	136	-	139	141	144	-	146	147	151	-	151	153	156	-	157	159	162	-	164	166	169	-
	600	MBh	18.3	18.6	19.1	20.0	18.2	18.4	19.0	19.8	17.7	17.9	18.5	19.3	16.9	17.1	17.7	18.5	15.9	16.1	16.7	17.5	14.9	15.2	15.7	16.6
		S/T	0.76	0.68	0.54	0.39	1.00	0.68	0.54	0.40	1.00	0.71	0.57	0.42	1.00	0.73	0.59	0.44	1.00	0.75	0.61	0.47	1.00	1.00	0.67	0.52
		Δ T	24	22	18	15	24	22	18	15	24	22	19	15	24	22	18	15	23	22	18	15	25	23	19	16
675	KW	0.99	0.99	0.99	1.00	1.11	1.11	1.11	1.12	1.25	1.25	1.24	1.25	1.39	1.39	1.39	1.40	1.55	1.55	1.55	1.56	1.75	1.74	1.74	1.75	
	Amps	4.2	4.2	4.2	4.2	4.7	4.7	4.7	4.8	5.4	5.4	5.3	5.4	6.0	6.0	6.0	6.0	6.8	6.8	6.8	6.8	7.6	7.6	7.6	7.7	
	HI/PR	233	234	236	240	270	271	273	277	308	309	311	315	350	351	353	357	395	396	397	401	442	443	445	449	
75	600	LO/PR	127	129	132	138	135	137	140	145	142	143	147	152	148	149	152	158	153	155	158	163	160	162	165	170
		MBh	18.6	18.8	19.4	20.2	18.4	18.7	19.2	20.0	17.9	18.2	18.7	19.6	17.1	17.4	17.9	18.7	16.1	16.4	16.9	17.7	15.2	15.4	16.0	16.8
		S/T	0.82	0.74	0.60	0.45	1.00	0.74	0.61	0.46	1.00	0.77	0.63	0.48	1.00	0.79	0.65	0.50	1.00	1.00	0.67	0.53	1.00	1.00	0.73	0.58
	675	Δ T	23	21	17	14	23	21	17	14	23	21	18	14	23	21	17	14	22	20	17	14	23	22	18	15
		KW	1.00	1.00	0.99	1.00	1.12	1.12	1.11	1.12	1.25	1.25	1.25	1.26	1.40	1.40	1.39	1.40	1.56	1.56	1.56	1.57	1.75	1.75	1.75	1.76
		Amps	4.2	4.2	4.2	4.2	4.8	4.8	4.8	4.8	5.4	5.4	5.4	5.4	6.0	6.0	6.0	6.1	6.8	6.8	6.8	6.8	7.7	7.7	7.7	7.7
675	HI/PR	235	236	238	242	272	273	275	279	310	311	313	317	352	353	355	359	397	398	399	403	444	445	447	451	
	LO/PR	129	131	134	139	137	138	142	147	144	145	149	154	149	151	154	160	155	157	160	165	162	164	167	172	
	MBh	18.9	19.1	19.7	20.5	18.7	18.9	19.5	20.3	18.2	18.5	19.0	19.9	17.4	17.6	18.2	19.0	16.4	16.6	17.2	18.0	15.5	15.7	16.3	17.1	
675	S/T	0.85	0.77	0.63	0.49	1.00	0.78	0.64	0.49	1.00	0.81	0.67	0.52	1.00	0.83	0.69	0.54	1.00	1.00	0.71	0.56	1.00	1.00	0.76	0.61	
	Δ T	22	20	16	13	22	20	16	13	22	20	17	13	22	20	16	13	21	20	16	13	23	21	17	14	
	KW	1.00	1.00	1.00	1.01	1.12	1.12	1.12	1.13	1.26	1.26	1.25	1.26	1.40	1.40	1.40	1.41	1.57	1.56	1.56	1.57	1.76	1.76	1.75	1.76	
675	Amps	4.2	4.2	4.2	4.3	4.8	4.8	4.8	4.8	5.4	5.4	5.4	5.4	6.1	6.1	6.1	6.1	6.8	6.8	6.8	6.8	7.7	7.7	7.7	7.7	
	HI/PR	237	238	240	244	274	275	277	281	312	313	315	319	354	355	356	361	399	400	401	405	446	447	449	453	
	LO/PR	131	133	136	141	139	141	144	149	146	147	151	156	151	153	156	162	157	159	162	167	164	166	169	174	

IDB: Entering Indoor Dry Bulb Temperature  
 High and low pressures are measured at the liquid and suction service valves.  
 Shaded area reflects ACCA (TVA) Rating Conditions.  
 kW = Total system power  
 Amps = Outdoor unit amps (compressor + fan)

IDB	AIRFLOW	OUTDOOR AMBIENT TEMPERATURE												ENTERING INDOOR WET BULB TEMPERATURE											
		65°F				75°F				85°F				95°F				105°F				115°F			
		59	63	67	71	59	63	67	71	59	63	67	71	59	63	67	71	59	63	67	71	59	63	67	71
80	MBh	18.4	18.7	19.2	20.1	18.3	18.5	19.1	19.9	17.8	18.0	18.6	19.4	17.0	17.2	17.8	18.6	15.9	16.2	16.8	17.6	15.0	15.3	15.8	16.7
	S/T	1.00	0.81	0.67	0.52	1.00	0.81	0.67	0.53	1.00	0.84	0.70	0.55	1.00	1.00	0.72	0.57	1.00	1.00	0.74	0.59	1.00	1.00	0.79	0.65
	ΔT	28	26	23	19	28	26	22	19	28	26	23	19	28	26	22	19	27	26	22	19	29	27	23	20
	KW	0.99	0.99	0.99	1.00	1.11	1.11	1.11	1.12	1.25	1.25	1.24	1.25	1.39	1.39	1.39	1.40	1.55	1.55	1.55	1.56	1.75	1.74	1.74	1.75
	Amps	4.2	4.2	4.2	4.2	4.7	4.7	4.7	4.8	5.4	5.4	5.3	5.4	6.0	6.0	6.0	6.1	6.8	6.8	6.8	6.8	7.6	7.6	7.6	7.7
	HI PR	234	235	236	240	270	271	273	277	309	310	312	316	350	351	353	357	395	396	398	402	443	444	445	450
	LO PR	128	129	133	138	136	137	140	146	142	144	147	153	148	150	153	158	154	155	159	164	161	162	166	171
	MBh	18.7	18.9	19.5	20.3	18.5	18.8	19.3	20.1	18.0	18.3	18.8	19.7	17.2	17.5	18.0	18.8	16.2	16.4	17.0	17.8	15.3	15.5	16.1	16.9
	S/T	1.00	0.87	0.73	0.58	1.00	0.87	0.73	0.59	1.00	1.00	0.76	0.61	1.00	1.00	0.78	0.63	1.00	1.00	0.80	0.66	1.00	1.00	0.80	0.71
	ΔT	27	25	21	18	27	25	21	18	27	25	22	18	27	25	21	18	26	25	21	18	27	26	22	19
KW	1.00	1.00	0.99	1.00	1.12	1.12	1.12	1.12	1.25	1.25	1.25	1.26	1.40	1.40	1.40	1.40	1.56	1.56	1.56	1.57	1.75	1.75	1.75	1.76	
Amps	4.2	4.2	4.2	4.2	4.8	4.8	4.8	4.8	5.4	5.4	5.4	5.4	6.1	6.0	6.0	6.1	6.8	6.8	6.8	6.8	7.7	7.7	7.7	7.7	
HI PR	236	237	238	242	272	273	275	279	311	312	314	318	352	353	355	359	397	398	400	404	445	446	447	451	
LO PR	130	131	135	140	137	139	142	148	144	146	149	154	150	152	155	160	156	157	160	166	163	164	167	173	
MBh	18.9	19.2	19.8	20.6	18.8	19.0	19.6	20.4	18.3	18.6	19.1	19.9	17.5	17.7	18.3	19.1	16.5	16.7	17.3	18.1	15.6	15.8	16.4	17.2	
S/T	1.00	0.90	0.76	0.62	1.00	0.91	0.77	0.62	1.00	1.00	0.80	0.65	1.00	1.00	0.82	0.67	1.00	1.00	0.84	0.69	1.00	1.00	0.80	0.74	
ΔT	26	24	21	17	26	24	20	17	26	24	21	17	26	24	20	17	25	24	20	17	27	25	21	18	
KW	1.00	1.00	1.00	1.01	1.12	1.12	1.12	1.13	1.26	1.26	1.26	1.26	1.40	1.40	1.40	1.41	1.57	1.57	1.56	1.57	1.76	1.76	1.75	1.76	
Amps	4.2	4.2	4.2	4.3	4.8	4.8	4.8	4.8	5.4	5.4	5.4	5.4	6.1	6.1	6.1	6.1	6.8	6.8	6.8	6.8	7.7	7.7	7.7	7.7	
HI PR	238	239	240	244	274	275	277	281	313	314	315	320	354	355	357	361	399	400	402	406	447	448	449	453	
LO PR	132	133	137	142	140	141	144	150	146	148	151	157	152	154	157	162	158	159	162	168	165	166	170	175	
85	MBh	18.7	19.0	19.5	20.4	18.6	18.8	19.4	20.2	18.1	18.3	18.9	19.7	17.3	17.5	18.1	18.9	16.3	16.5	17.1	17.9	15.3	15.6	16.1	17.0
	S/T	1.00	0.91	0.77	0.62	1.00	0.80	0.66	0.63	1.00	1.00	0.80	0.66	1.00	1.00	0.82	0.68	1.00	1.00	0.80	0.70	1.00	1.00	0.80	0.75
	ΔT	31	30	26	23	31	29	26	23	32	30	26	23	31	29	26	23	31	29	26	22	32	30	27	23
	KW	0.99	0.99	0.99	1.00	1.11	1.11	1.11	1.12	1.25	1.25	1.25	1.26	1.39	1.39	1.39	1.40	1.56	1.56	1.55	1.56	1.75	1.75	1.75	1.75
	Amps	4.2	4.2	4.2	4.2	4.8	4.7	4.7	4.8	5.4	5.4	5.4	5.4	6.0	6.0	6.0	6.1	6.8	6.8	6.8	6.8	7.7	7.6	7.6	7.7
	HI PR	235	236	237	241	271	272	274	278	310	311	313	317	351	352	354	358	396	397	399	403	444	445	447	451
	LO PR	130	131	135	140	138	139	142	148	144	146	149	155	150	152	155	160	156	157	160	166	163	164	168	173
	MBh	19.0	19.2	19.8	20.6	18.8	19.1	19.6	20.4	18.3	18.6	19.1	20.0	17.5	17.8	18.3	19.1	16.5	16.8	17.3	18.1	15.6	15.8	16.4	17.2
	S/T	1.00	0.97	0.83	0.69	1.00	0.84	0.69	0.69	1.00	1.00	0.86	0.72	1.00	1.00	0.88	0.74	1.00	1.00	0.80	0.76	1.00	1.00	0.80	0.81
	ΔT	30	28	25	21	30	28	25	21	30	29	25	22	30	28	25	21	30	28	25	21	31	29	26	22
KW	1.00	1.00	1.00	1.01	1.12	1.12	1.12	1.13	1.26	1.26	1.26	1.26	1.40	1.40	1.40	1.41	1.56	1.56	1.56	1.57	1.75	1.75	1.75	1.76	
Amps	4.2	4.2	4.2	4.3	4.8	4.8	4.8	4.8	5.4	5.4	5.4	5.4	6.1	6.1	6.0	6.1	6.8	6.8	6.8	6.8	7.7	7.7	7.7	7.7	
HI PR	237	238	239	243	273	274	276	280	312	313	315	319	353	354	356	360	398	399	401	405	446	447	449	453	
LO PR	132	133	136	142	139	141	144	150	146	148	151	156	152	153	157	162	158	159	162	168	165	166	169	175	
MBh	19.3	19.5	20.1	20.9	19.1	19.4	19.9	20.7	18.6	18.9	19.4	20.3	17.8	18.1	18.6	19.4	16.8	17.0	17.6	18.4	15.9	16.1	16.7	17.5	
S/T	1.00	1.00	0.87	0.72	1.00	0.87	0.73	0.73	1.00	1.00	0.90	0.75	1.00	1.00	1.00	0.77	1.00	1.00	0.80	0.80	1.00	1.00	0.80	0.85	
ΔT	29	27	24	21	29	27	24	21	30	28	24	21	29	27	24	20	29	27	24	20	30	28	25	21	
KW	1.01	1.00	1.00	1.01	1.13	1.12	1.12	1.13	1.26	1.26	1.26	1.27	1.41	1.41	1.40	1.41	1.57	1.57	1.57	1.57	1.76	1.76	1.76	1.77	
Amps	4.3	4.2	4.2	4.3	4.8	4.8	4.8	4.8	5.4	5.4	5.4	5.4	6.1	6.1	6.1	6.1	6.8	6.8	6.8	6.8	7.7	7.7	7.7	7.7	
HI PR	239	240	241	245	275	276	278	282	314	315	317	321	355	356	358	362	400	401	403	407	448	449	450	455	
LO PR	134	135	139	144	141	143	146	152	148	150	153	158	154	156	159	164	160	161	164	170	167	168	171	177	

IDB: Entering Indoor Dry Bulb Temperature  
 High and low pressures are measured at the liquid and suction service valves.  
 Shaded area reflects AHRI Rating Conditions.  
 kW = Total system power  
 Amps = Outdoor unit amps (compressor + fan)



IDB		OUTDOOR AMBIENT TEMPERATURE												ENTERING INDOOR WET BULB TEMPERATURE												
		65°F				75°F				85°F				95°F				105°F				115°F				
		59	63	67	71	59	63	67	71	59	63	67	71	59	63	67	71	59	63	67	71	59	63	67	71	
<b>700</b>	MBh	24.6	24.9	25.6	26.7	24.3	24.7	25.4	26.5	23.7	24.0	24.8	25.9	22.6	22.9	23.7	24.8	21.3	21.6	22.3	23.5	20.0	20.4	21.1	22.2	
	S/T	1.00	0.80	0.66	0.52	1.00	0.81	0.67	0.52	1.00	0.83	0.69	0.55	1.00	1.00	0.71	0.57	1.00	1.00	0.74	0.59	1.00	1.00	0.79	0.64	
	Δ T	28	26	23	19	28	26	23	19	28	26	23	19	28	26	22	19	27	26	22	19	29	27	23	20	
	kW	1.33	1.32	1.32	1.33	1.49	1.48	1.48	1.49	1.66	1.66	1.66	1.67	1.86	1.86	1.85	1.86	2.07	2.07	2.07	2.08	2.32	2.32	2.32	2.33	
	Amps	5.5	5.5	5.5	5.5	6.2	6.2	6.2	6.3	7.0	7.0	7.0	7.1	7.9	7.9	7.9	8.0	8.9	8.9	8.9	8.9	10.1	10.1	10.1	10.1	
	HI PR	241	242	244	248	279	280	282	286	319	320	322	326	362	363	365	369	408	409	411	415	457	458	460	464	
	LO PR	126	128	131	136	134	136	139	144	141	142	145	151	146	148	151	156	152	153	157	162	159	160	164	169	
	<b>800</b>	MBh	24.9	25.2	26.0	27.1	24.7	25.0	25.7	26.8	24.0	24.4	25.1	26.2	22.9	23.3	24.0	25.1	21.6	21.9	22.7	23.8	20.4	20.7	21.4	22.5
		S/T	1.00	0.86	0.72	0.58	1.00	0.87	0.73	0.58	1.00	0.89	0.76	0.61	1.00	1.00	0.78	0.63	1.00	1.00	0.80	0.65	1.00	1.00	0.85	0.70
		Δ T	27	25	21	18	27	25	21	18	27	25	22	18	27	25	21	18	26	25	21	18	28	26	22	19
kW		1.33	1.33	1.33	1.34	1.49	1.49	1.49	1.50	1.67	1.67	1.67	1.68	1.86	1.86	1.86	1.87	2.08	2.08	2.08	2.09	2.33	2.33	2.33	2.34	
Amps		5.5	5.5	5.5	5.6	6.3	6.2	6.2	6.3	7.1	7.1	7.1	7.1	8.0	7.9	7.9	8.0	8.9	8.9	8.9	9.0	10.1	10.1	10.1	10.1	
HI PR		243	244	246	250	281	282	284	288	321	322	324	328	364	365	367	371	410	411	413	417	459	460	462	466	
LO PR		128	130	133	138	136	137	141	146	143	144	147	153	148	150	153	158	154	155	159	164	161	162	165	171	
<b>900</b>		MBh	25.3	25.6	26.3	27.5	25.0	25.4	26.1	27.2	24.4	24.8	25.5	26.6	23.3	23.7	24.4	25.5	22.0	22.3	23.0	24.2	20.7	21.1	21.8	22.9
		S/T	1.00	0.90	0.76	0.61	1.00	0.90	0.76	0.62	1.00	1.00	0.79	0.64	1.00	1.00	0.81	0.66	1.00	1.00	0.83	0.69	1.00	1.00	1.00	0.74
		Δ T	26	24	21	17	26	24	20	17	26	24	21	17	26	24	20	17	25	24	20	17	27	25	21	18
	kW	1.34	1.34	1.34	1.35	1.50	1.50	1.50	1.51	1.68	1.68	1.67	1.69	1.87	1.87	1.87	1.88	2.09	2.09	2.08	2.10	2.34	2.34	2.34	2.35	
	Amps	5.6	5.6	5.5	5.6	6.3	6.3	6.3	6.3	7.1	7.1	7.1	7.1	8.0	8.0	8.0	8.0	9.0	9.0	9.0	9.0	10.1	10.1	10.1	10.2	
	HI PR	245	246	248	252	283	284	286	290	323	324	326	330	366	367	369	373	412	413	415	419	461	462	464	468	
	LO PR	130	132	135	140	138	139	143	148	145	146	149	155	150	152	155	160	156	157	161	166	163	164	168	173	
	<b>700</b>	MBh	25.0	25.3	26.0	27.2	24.8	25.1	25.8	26.9	24.1	24.5	25.2	26.3	23.0	23.4	24.1	25.2	21.7	22.0	22.7	23.9	20.5	20.8	21.5	22.6
		S/T	1.00	0.90	0.77	0.62	1.00	1.00	0.77	0.63	1.00	1.00	0.80	0.65	1.00	1.00	0.82	0.67	1.00	1.00	1.00	0.69	1.00	1.00	1.00	0.75
		Δ T	31	30	26	23	31	30	26	23	32	30	26	23	31	29	26	23	31	29	26	22	32	30	27	23
kW		1.33	1.33	1.32	1.34	1.49	1.49	1.48	1.50	1.67	1.67	1.66	1.67	1.86	1.86	1.86	1.87	2.07	2.07	2.07	2.08	2.33	2.33	2.32	2.34	
Amps		5.5	5.5	5.5	5.5	6.2	6.2	6.2	6.3	7.0	7.0	7.0	7.1	7.9	7.9	7.9	8.0	8.9	8.9	8.9	9.0	10.1	10.1	10.1	10.1	
HI PR		242	243	245	249	280	281	283	287	320	321	323	327	363	364	366	370	409	410	412	416	459	460	461	465	
LO PR		128	130	133	138	136	137	141	146	143	144	147	153	148	150	153	158	154	155	159	164	161	162	166	171	
<b>800</b>		MBh	25.3	25.6	26.4	27.5	25.1	25.4	26.1	27.3	24.4	24.8	25.5	26.6	23.3	23.7	24.4	25.5	22.0	22.3	23.1	24.2	20.8	21.1	21.8	23.0
		S/T	1.00	0.97	0.83	0.68	1.00	1.00	0.83	0.69	1.00	1.00	0.86	0.71	1.00	1.00	0.88	0.73	1.00	1.00	1.00	0.76	1.00	1.00	1.00	0.81
		Δ T	30	28	25	22	30	28	25	21	30	29	25	22	30	28	25	21	30	28	25	21	31	29	26	22
	kW	1.34	1.34	1.33	1.35	1.50	1.50	1.49	1.50	1.67	1.67	1.67	1.68	1.87	1.87	1.86	1.88	2.08	2.08	2.08	2.09	2.34	2.33	2.33	2.34	
	Amps	5.5	5.5	5.5	5.6	6.3	6.3	6.3	6.3	7.1	7.1	7.1	7.1	8.0	8.0	7.9	8.0	9.0	8.9	8.9	9.0	10.1	10.1	10.1	10.1	
	HI PR	244	246	247	251	282	283	285	289	322	323	325	329	365	366	368	372	411	412	414	418	461	462	463	467	
	LO PR	130	132	135	140	138	139	142	148	144	146	149	155	150	152	155	160	156	157	160	166	163	164	167	173	
	<b>900</b>	MBh	25.7	26.0	26.7	27.9	25.5	25.8	26.5	27.6	24.8	25.2	25.9	27.0	23.7	24.1	24.8	25.9	22.4	22.7	23.5	24.6	21.2	21.5	22.2	23.3
		S/T	1.00	1.00	0.86	0.72	1.00	1.00	0.87	0.72	1.00	1.00	0.89	0.75	1.00	1.00	0.91	0.77	1.00	1.00	1.00	0.79	1.00	1.00	1.00	0.84
		Δ T	29	28	24	21	29	27	24	21	30	28	24	21	29	27	24	21	29	27	24	20	30	28	25	21
kW		1.34	1.34	1.34	1.35	1.50	1.50	1.50	1.51	1.68	1.68	1.68	1.69	1.87	1.87	1.87	1.88	2.09	2.09	2.09	2.10	2.34	2.34	2.34	2.35	
Amps		5.6	5.6	5.6	5.6	6.3	6.3	6.3	6.3	7.1	7.1	7.1	7.2	8.0	8.0	8.0	8.0	9.0	9.0	9.0	9.0	10.1	10.1	10.1	10.2	
HI PR		246	248	249	253	284	285	287	291	324	325	327	331	367	368	370	374	413	414	416	420	463	464	465	469	
LO PR		132	134	137	142	140	141	145	150	146	148	151	157	152	154	157	162	158	159	162	168	165	166	169	175	

IDB: Entering Indoor Dry Bulb Temperature  
 High and low pressures are measured at the liquid and suction service valves.  
 Shaded area reflects AHRI Rating Conditions.  
 kW = Total system power  
 Amps = Outdoor unit amps (compressor + fan)

IDB		OUTDOOR AMBIENT TEMPERATURE																							
		65°F				75°F				85°F				95°F				105°F				115°F			
		59	63	67	71	59	63	67	71	59	63	67	71	59	63	67	71	59	63	67	71	59	63	67	71
		ENTERING INDOOR WET BULB TEMPERATURE																							
		AIRFLOW																							
70	MBh	29.4	29.8	30.7	-	29.1	29.5	30.4	-	28.3	28.8	29.6	-	27.0	27.4	28.3	-	25.4	25.8	26.7	-	23.9	24.4	25.2	-
	S/T	0.63	0.56	0.42	-	0.64	0.56	0.42	-	0.67	0.59	0.45	-	1.00	0.61	0.47	-	1.00	0.63	0.49	-	1.00	0.68	0.54	-
	Δ T	20	18	15	-	20	18	15	-	20	18	15	-	20	18	15	-	20	18	14	-	21	19	15	-
	kW	1.57	1.57	1.56	-	1.77	1.77	1.76	-	1.99	1.99	1.98	-	2.23	2.23	2.23	-	2.50	2.50	2.49	-	2.81	2.81	2.81	-
	Amps	6.5	6.4	6.4	-	7.4	7.4	7.3	-	8.4	8.4	8.4	-	9.5	9.5	9.5	-	10.7	10.7	10.7	-	12.2	12.1	12.1	-
	HI PR	246	247	249	-	285	286	288	-	325	327	328	-	369	370	372	-	416	417	419	-	467	468	469	-
	LO PR	124	125	129	-	131	133	136	-	138	140	143	-	144	145	148	-	149	151	154	-	156	157	161	-
	MBh	29.7	30.1	31.0	-	29.4	29.8	30.7	-	28.7	29.1	29.9	-	27.3	27.8	28.6	-	25.7	26.1	27.0	-	24.3	24.7	25.6	-
	S/T	0.68	0.60	0.46	-	0.69	0.61	0.47	-	0.71	0.64	0.50	-	1.00	0.66	0.52	-	1.00	0.68	0.54	-	1.00	0.73	0.59	-
	Δ T	19	17	14	-	19	17	14	-	19	17	14	-	19	17	14	-	19	17	13	-	20	18	15	-
kW	1.58	1.58	1.57	-	1.78	1.77	1.77	-	2.00	2.00	1.99	-	2.24	2.24	2.23	-	2.51	2.51	2.50	-	2.82	2.82	2.82	-	
Amps	6.5	6.5	6.5	-	7.4	7.4	7.4	-	8.4	8.4	8.4	-	9.5	9.5	9.5	-	10.8	10.7	10.7	-	12.2	12.2	12.2	-	
HI PR	248	249	251	-	287	288	289	-	327	328	330	-	371	372	374	-	418	419	421	-	468	469	471	-	
LO PR	125	127	130	-	133	134	138	-	140	141	144	-	145	147	150	-	151	152	155	-	157	159	162	-	
MBh	30.3	30.7	31.6	-	30.0	30.4	31.3	-	29.2	29.7	30.5	-	27.9	28.3	29.2	-	26.3	26.7	27.6	-	24.8	25.3	26.1	-	
S/T	0.72	0.64	0.50	-	0.73	0.65	0.51	-	0.75	0.67	0.54	-	1.00	0.69	0.56	-	1.00	0.72	0.58	-	1.00	0.77	0.63	-	
Δ T	18	16	13	-	18	16	12	-	18	16	13	-	18	16	12	-	18	16	12	-	19	17	13	-	
kW	1.59	1.59	1.58	-	1.79	1.78	1.78	-	2.01	2.01	2.00	-	2.25	2.25	2.24	-	2.52	2.52	2.51	-	2.83	2.83	2.83	-	
Amps	6.5	6.5	6.5	-	7.5	7.4	7.4	-	8.5	8.5	8.4	-	9.6	9.6	9.5	-	10.8	10.8	10.8	-	12.2	12.2	12.2	-	
HI PR	250	251	253	-	289	290	292	-	330	331	332	-	373	374	376	-	421	422	423	-	471	472	474	-	
LO PR	128	129	133	-	135	137	140	-	142	144	147	-	148	149	152	-	153	155	158	-	160	161	165	-	

75	MBh	29.4	29.8	30.7	32.0	29.1	29.5	30.4	31.7	28.4	28.8	29.6	31.0	27.0	27.5	28.3	29.7	25.4	25.8	26.7	28.1	24.0	24.4	25.2	26.6
	S/T	0.77	0.69	0.55	0.40	0.77	0.69	0.56	0.41	1.00	0.72	0.58	0.43	1.00	0.74	0.60	0.45	1.00	0.76	0.62	0.48	1.00	1.00	0.68	0.53
	Δ T	24	22	19	15	24	22	19	15	24	22	19	15	24	22	19	15	24	22	18	15	25	23	20	16
	kW	1.57	1.57	1.56	1.58	1.77	1.76	1.76	1.78	1.99	1.99	1.98	2.00	2.23	2.23	2.22	2.24	2.50	2.50	2.49	2.51	2.81	2.81	2.81	2.82
	Amps	6.4	6.4	6.4	6.5	7.4	7.4	7.3	7.4	8.4	8.4	8.4	8.4	9.5	9.5	9.5	9.5	10.7	10.7	10.7	10.8	12.2	12.1	12.1	12.2
	HI PR	246	247	249	253	285	286	288	292	326	327	328	333	369	370	372	376	417	418	419	424	467	468	470	474
	LO PR	124	125	129	134	131	133	136	141	138	140	143	148	144	145	148	154	149	151	154	159	156	157	161	166
	MBh	29.7	30.1	31.0	32.3	29.4	29.9	30.7	32.1	28.7	29.1	30.0	31.3	27.4	27.8	28.6	30.0	25.8	26.2	27.0	28.4	24.3	24.7	25.6	26.9
	S/T	0.81	0.74	0.60	0.45	0.82	0.74	0.60	0.46	1.00	0.77	0.63	0.48	1.00	0.79	0.65	0.50	1.00	0.81	0.67	0.53	1.00	1.00	0.72	0.58
	Δ T	23	21	18	14	23	21	18	14	23	21	18	14	23	21	18	14	23	21	17	14	24	22	19	15
kW	1.58	1.57	1.57	1.59	1.77	1.77	1.77	1.78	2.00	2.00	1.99	2.01	2.24	2.24	2.23	2.25	2.51	2.50	2.50	2.52	2.82	2.82	2.82	2.83	
Amps	6.5	6.5	6.5	6.5	7.4	7.4	7.4	7.4	8.4	8.4	8.4	8.5	9.5	9.5	9.5	9.6	10.7	10.7	10.7	10.8	12.2	12.2	12.2	12.2	
HI PR	248	249	251	255	287	288	290	294	327	328	330	334	371	372	374	378	418	419	421	425	469	470	471	476	
LO PR	125	127	130	135	133	134	138	143	140	141	144	149	145	147	150	155	151	152	155	161	157	159	162	167	
MBh	30.3	30.7	31.6	32.9	30.0	30.4	31.3	32.6	29.3	29.7	30.5	31.9	27.9	28.4	29.2	30.6	26.3	26.7	27.6	29.0	24.9	25.3	26.2	27.5	
S/T	0.85	0.78	0.64	0.49	1.00	0.78	0.64	0.50	1.00	0.81	0.67	0.52	1.00	0.83	0.69	0.54	1.00	1.00	0.71	0.56	1.00	1.00	0.76	0.62	
Δ T	22	20	17	13	22	20	17	13	22	20	17	13	22	20	17	13	22	20	16	13	23	21	17	14	
kW	1.59	1.58	1.58	1.60	1.79	1.78	1.78	1.80	2.01	2.01	2.00	2.02	2.25	2.25	2.24	2.26	2.52	2.51	2.51	2.53	2.83	2.83	2.83	2.84	
Amps	6.5	6.5	6.5	6.6	7.4	7.4	7.4	7.5	8.5	8.5	8.4	8.5	9.6	9.6	9.5	9.6	10.8	10.8	10.8	10.8	12.2	12.2	12.2	12.3	
HI PR	250	252	253	258	289	290	292	296	330	331	333	337	374	375	376	381	421	422	424	428	471	472	474	478	
LO PR	128	129	133	138	135	137	140	145	142	144	147	152	148	149	152	158	153	155	158	163	160	161	165	170	

IDB: Entering Indoor Dry Bulb Temperature  
 High and low pressures are measured at the liquid and suction service valves.  
 Shaded area reflects ACCA (TVA) Rating Conditions.  
 kW = Total system power  
 Amps = Outdoor unit amps (compressor + fan)





IDB	Airflow	Outdoor Ambient Temperature																								
		65°F				75°F				85°F				95°F				105°F				115°F				
		59	63	67	71	59	63	67	71	59	63	67	71	59	63	67	71	59	63	67	71	59	63	67	71	
70	1050	MBh	35.3	35.7	36.8	-	34.9	35.4	36.5	-	34.0	34.5	35.6	-	32.5	33.0	34.0	-	30.6	31.0	32.1	-	28.8	29.3	30.3	-
		S/T	0.66	0.59	0.45	-	0.67	0.59	0.46	-	0.69	0.62	0.48	-	1.00	0.64	0.50	-	1.00	0.66	0.52	-	1.00	0.71	0.58	-
		Δ T	19	17	14	-	19	17	14	-	20	18	14	-	19	17	14	-	19	17	14	-	20	18	15	-
		kW	1.89	1.88	1.88	-	2.12	2.12	2.11	-	2.38	2.38	2.37	-	2.66	2.66	2.65	-	2.97	2.97	2.97	-	3.34	3.34	3.33	-
		Amps	7.7	7.7	7.7	-	8.8	8.8	8.7	-	10.0	10.0	9.9	-	11.2	11.2	11.2	-	12.7	12.7	12.7	-	14.4	14.4	14.3	-
	1200	HI PR	248	249	251	-	287	288	290	-	328	329	331	-	372	373	374	-	419	420	422	-	469	470	472	-
		LO PR	124	125	128	-	131	133	136	-	138	139	142	-	143	145	148	-	149	150	153	-	155	157	160	-
		MBh	35.9	36.4	37.4	-	35.6	36.1	37.1	-	34.7	35.2	36.2	-	33.1	33.6	34.6	-	31.2	31.7	32.7	-	29.4	29.9	31.0	-
		S/T	0.70	0.62	0.49	-	0.71	0.63	0.50	-	0.73	0.66	0.52	-	1.00	0.67	0.54	-	1.00	0.70	0.56	-	1.00	0.75	0.61	-
		Δ T	18	16	13	-	18	16	13	-	18	17	13	-	18	16	13	-	18	16	12	-	19	17	14	-
1350	kW	1.90	1.89	1.89	-	2.13	2.13	2.12	-	2.39	2.39	2.38	-	2.67	2.67	2.66	-	2.98	2.98	2.98	-	3.35	3.35	3.35	-	
	Amps	7.8	7.8	7.7	-	8.8	8.8	8.8	-	10.0	10.0	10.0	-	11.3	11.3	11.3	-	12.7	12.7	12.7	-	14.4	14.4	14.4	-	
	HI PR	251	252	253	-	289	290	292	-	330	331	333	-	374	375	377	-	421	422	424	-	472	473	474	-	
	LO PR	126	128	131	-	133	135	138	-	140	141	145	-	145	147	150	-	151	152	155	-	158	159	162	-	
	MBh	36.7	37.2	38.2	-	36.4	36.9	37.9	-	35.5	35.9	37.0	-	33.9	34.4	35.4	-	32.0	32.5	33.5	-	30.2	30.7	31.8	-	

IDB	Airflow	Outdoor Ambient Temperature																								
		65°F				75°F				85°F				95°F				105°F				115°F				
		59	63	67	71	59	63	67	71	59	63	67	71	59	63	67	71	59	63	67	71	59	63	67	71	
75	1050	MBh	35.3	35.8	36.8	38.4	35.0	35.5	36.5	38.1	34.1	34.5	35.6	37.2	32.5	33.0	34.0	35.6	30.6	31.1	32.1	33.7	28.8	29.3	30.4	32.0
		S/T	0.79	0.72	0.58	0.44	0.80	0.72	0.59	0.44	1.00	0.75	0.61	0.47	1.00	0.77	0.63	0.49	1.00	0.79	0.65	0.51	1.00	1.00	0.70	0.56
		Δ T	23	22	18	14	23	22	18	14	24	22	18	15	23	21	18	14	23	21	18	14	24	22	19	15
		kW	1.88	1.88	1.88	1.90	2.12	2.11	2.11	2.13	2.38	2.37	2.37	2.39	2.66	2.65	2.65	2.67	2.97	2.97	2.96	2.98	3.34	3.34	3.33	3.35
		Amps	7.7	7.7	7.7	7.8	8.8	8.8	8.7	8.8	10.0	9.9	9.9	10.0	11.2	11.2	11.2	11.3	12.7	12.7	12.6	12.7	14.4	14.3	14.3	14.4
	1200	HI PR	248	250	251	256	287	288	290	294	328	329	331	335	372	373	375	379	419	420	422	426	469	471	472	477
		LO PR	124	125	128	134	131	133	136	141	138	139	142	147	143	145	148	153	149	150	153	158	155	157	160	165
		MBh	35.9	36.4	37.4	39.0	35.6	36.1	37.1	38.7	34.7	35.2	36.2	37.8	33.1	33.6	34.7	36.2	31.2	31.7	32.7	34.3	29.5	30.0	31.0	32.6
		S/T	0.83	0.75	0.62	0.48	1.00	0.76	0.62	0.48	1.00	0.78	0.65	0.51	1.00	0.80	0.67	0.53	1.00	0.83	0.69	0.55	1.00	1.00	0.74	0.60
		Δ T	22	20	17	13	22	20	17	13	23	21	17	14	22	20	17	13	22	20	17	13	23	21	18	14
1350	kW	1.90	1.89	1.89	1.91	2.13	2.13	2.12	2.14	2.39	2.39	2.38	2.40	2.67	2.67	2.66	2.68	2.98	2.98	2.98	2.99	3.35	3.35	3.34	3.36	
	Amps	7.8	7.7	7.7	7.8	8.8	8.8	8.8	8.9	10.0	10.0	10.0	10.1	11.3	11.3	11.3	11.3	12.7	12.7	12.7	12.8	14.4	14.4	14.4	14.5	
	HI PR	251	252	254	258	290	291	292	297	330	331	333	337	374	375	377	381	421	422	424	428	472	473	475	479	
	LO PR	126	128	131	136	133	135	138	143	140	141	145	150	145	147	150	155	151	152	155	161	158	159	162	167	
	MBh	36.7	37.2	38.2	39.8	36.4	36.9	37.9	39.5	35.5	36.0	37.0	38.6	33.9	34.4	35.4	37.0	32.0	32.5	33.5	35.1	30.3	30.7	31.8	33.4	

IDB: Entering Indoor Dry Bulb Temperature  
 High and low pressures are measured at the liquid and suction service valves.  
 Shaded area reflects ACCA (TVA) Rating Conditions.  
 kW = Total system power  
 Amps = Outdoor unit amps (compressor + fan)











		OUTDOOR AMBIENT TEMPERATURE																																															
		65°F								75°F								85°F								95°F								105°F								115°F							
		59	63	67	71	59	63	67	71	59	63	67	71	59	63	67	71	59	63	67	71	59	63	67	71	59	63	67	71																				
<b>70</b>	<b>1750</b>	MBh	57.8	58.6	60.3	-	57.3	58.1	59.8	-	55.8	56.6	58.3	-	53.2	54.0	55.7	-	50.0	50.8	52.5	-	47.1	48.0	49.7	-	47.1	48.0	49.7	-																			
		S/T	0.64	0.57	0.43	-	0.65	0.57	0.43	-	0.67	0.60	0.46	-	0.69	0.62	0.48	-	1.00	0.64	0.50	-	1.00	0.69	0.55	-	1.00	0.69	0.55	-																			
		Δ T	19	17	14	-	19	17	14	-	19	17	14	-	19	17	14	-	19	17	13	-	20	18	15	-	20	18	15	-																			
		kW	3.20	3.20	3.19	-	3.61	3.61	3.60	-	4.06	4.06	4.05	-	4.56	4.55	4.55	-	5.10	5.10	5.09	-	5.75	5.75	5.74	-	5.75	5.75	5.74	-																			
		Amps	12.5	12.4	12.4	-	14.3	14.3	14.3	-	16.4	16.4	16.4	-	18.7	18.6	18.6	-	21.2	21.2	21.1	-	24.1	24.1	24.1	-	24.1	24.1	24.1	-																			
	<b>1890</b>	HI PR	260	261	263	-	301	302	304	-	344	345	346	-	390	391	393	-	439	440	442	-	492	493	495	-	492	493	495	-																			
		LO PR	119	121	124	-	126	128	131	-	133	134	137	-	138	139	142	-	143	145	148	-	150	151	154	-	150	151	154	-																			
		MBh	58.2	59.0	60.8	-	57.7	58.5	60.3	-	56.2	57.0	58.8	-	53.6	54.5	56.2	-	50.5	51.3	53.0	-	47.6	48.4	50.1	-	47.6	48.4	50.1	-																			
		S/T	0.68	0.60	0.46	-	0.68	0.60	0.47	-	0.71	0.63	0.49	-	0.73	0.65	0.51	-	1.00	0.67	0.53	-	1.00	0.72	0.59	-	1.00	0.72	0.59	-																			
		Δ T	18	17	13	-	18	16	13	-	18	17	13	-	18	16	13	-	18	16	13	-	19	17	14	-	19	17	14	-																			
<b>2250</b>	kW	3.21	3.21	3.20	-	3.62	3.62	3.61	-	4.08	4.07	4.07	-	4.57	4.56	4.56	-	5.12	5.11	5.11	-	5.76	5.76	5.75	-	5.76	5.76	5.75	-																				
	Amps	12.5	12.5	12.5	-	14.4	14.4	14.3	-	16.5	16.4	16.4	-	18.7	18.7	18.7	-	21.2	21.2	21.2	-	24.2	24.2	24.1	-	24.2	24.2	24.1	-																				
	HI PR	261	262	264	-	302	303	305	-	345	346	348	-	391	392	394	-	441	442	444	-	494	495	497	-	494	495	497	-																				
	LO PR	120	122	125	-	127	129	132	-	134	135	138	-	139	140	143	-	144	146	149	-	151	152	155	-	151	152	155	-																				
	MBh	59.7	60.5	62.2	-	59.2	60.0	61.7	-	57.7	58.5	60.2	-	55.1	55.9	57.6	-	51.9	52.7	54.5	-	49.1	49.9	51.6	-	49.1	49.9	51.6	-																				
<b>75</b>	<b>1750</b>	S/T	0.72	0.64	0.50	-	0.72	0.65	0.51	-	0.75	0.67	0.54	-	0.77	0.69	0.56	-	1.00	0.72	0.58	-	1.00	0.77	0.63	-	1.00	0.77	0.63	-																			
		Δ T	17	15	12	-	17	15	12	-	17	15	12	-	17	15	12	-	17	15	12	-	18	16	13	-	18	16	13	-																			
		kW	3.24	3.24	3.23	-	3.65	3.64	3.64	-	4.10	4.10	4.09	-	4.59	4.59	4.58	-	5.14	5.14	5.13	-	5.79	5.78	5.78	-	5.79	5.78	5.78	-																			
		Amps	12.6	12.6	12.6	-	14.5	14.5	14.5	-	16.6	16.6	16.5	-	18.8	18.8	18.8	-	21.3	21.3	21.3	-	24.3	24.3	24.2	-	24.3	24.3	24.2	-																			
		HI PR	264	266	267	-	305	306	308	-	348	349	351	-	394	395	397	-	444	445	447	-	497	498	500	-	497	498	500	-																			
	<b>1890</b>	LO PR	123	125	128	-	130	132	135	-	137	138	141	-	142	144	147	-	147	149	152	-	154	155	158	-	154	155	158	-																			
		MBh	57.8	58.6	60.3	63.0	57.3	58.1	59.8	62.4	55.8	56.6	58.3	60.9	53.2	54.0	55.7	58.4	50.1	50.9	52.6	55.2	47.2	48.0	49.7	52.3	47.2	48.0	49.7	52.3																			
		S/T	0.77	0.70	0.56	0.41	0.78	0.70	0.57	0.42	0.81	0.73	0.59	0.45	1.00	0.75	0.61	0.47	1.00	0.77	0.63	0.49	1.00	0.82	0.69	0.54	1.00	0.82	0.69	0.54																			
		Δ T	23	21	18	14	23	21	18	14	23	21	18	14	23	21	18	14	23	21	17	14	24	22	19	15	24	22	19	15																			
		kW	3.20	3.20	3.19	3.22	3.61	3.60	3.60	3.63	4.06	4.06	4.05	4.08	4.55	4.55	4.54	4.57	5.10	5.10	5.09	5.12	5.75	5.74	5.74	5.77	5.75	5.74	5.74	5.77																			
<b>2250</b>	Amps	12.4	12.4	12.4	12.5	14.3	14.3	14.3	14.4	16.4	16.4	16.3	16.5	18.6	18.6	18.6	18.7	21.2	21.1	21.1	21.2	24.1	24.1	24.1	24.2	24.1	24.1	24.1	24.2																				
	HI PR	260	261	263	268	301	302	304	308	344	345	347	351	390	391	393	397	440	441	443	447	493	494	496	500	493	494	496	500																				
	LO PR	119	121	124	129	126	128	131	136	133	134	137	142	138	139	142	148	143	145	148	153	150	151	154	159	150	151	154	159																				
	MBh	58.3	59.1	60.8	63.4	57.8	58.6	60.3	62.9	56.3	57.1	58.8	61.4	53.7	54.5	56.2	58.8	50.5	51.3	53.0	55.7	47.6	48.4	50.2	52.8	47.6	48.4	50.2	52.8																				
	S/T	0.81	0.73	0.59	0.45	0.81	0.74	0.60	0.45	1.00	0.76	0.62	0.48	1.00	0.78	0.64	0.50	1.00	0.80	0.67	0.52	1.00	0.86	0.72	0.57	1.00	0.86	0.72	0.57																				

IDB: Entering Indoor Dry Bulb Temperature  
 High and low pressures are measured at the liquid and suction service valves.  
 Shaded area reflects ACCA (TVA) Rating Conditions.  
 kW = Total system power  
 Amps = Outdoor unit amps (compressor + fan)





EXPANDED HEATING DATA

ASZ160181L\* - ASPT29B14A\* + TXV

	OUTDOOR AMBIENT TEMPERATURE																
	65	60	55	50	47	45	40	35	30	25	20	17	15	10	5	0	-5
MBh	23.1	21.7	20.3	18.9	18.0	17.4	15.7	14.2	13.0	12.0	11.4	11.0	10.5	9.4	8.2	7.0	5.9
T/R	20.6	19.5	18.4	17.3	16.7	16.1	14.6	13.1	12.0	11.1	10.5	10.2	9.8	8.7	7.6	6.5	5.4
kW	1.37	1.35	1.34	1.33	1.32	1.31	1.30	1.29	1.27	1.26	1.25	1.24	1.23	1.22	1.21	1.20	1.18
Amps	6.7	6.2	5.7	5.3	5.1	4.9	4.6	4.4	4.1	3.9	3.7	3.6	3.5	3.3	3.1	2.8	2.5
COP	4.95	4.69	4.43	4.17	4.00	3.87	3.55	3.23	2.98	2.80	2.67	2.60	2.50	2.25	1.99	1.72	1.45

ASZ160241L\* - ASPT29B14A\* + TXV

	OUTDOOR AMBIENT TEMPERATURE																
	65	60	55	50	47	45	40	35	30	25	20	17	15	10	5	0	-5
MBh	30.9	29.0	27.1	25.2	24.0	23.1	20.9	18.8	17.2	15.9	15.0	14.5	13.9	12.3	10.7	9.1	7.5
T/R	27.5	26.0	24.6	23.1	22.2	21.4	19.4	17.4	15.9	14.7	13.9	13.4	12.8	11.4	9.9	8.4	7.0
kW	1.83	1.81	1.79	1.77	1.76	1.75	1.73	1.71	1.69	1.67	1.65	1.63	1.63	1.61	1.58	1.56	1.54
Amps	9.0	8.2	7.6	7.1	6.8	6.6	6.2	5.8	5.5	5.2	4.9	4.7	4.6	4.3	4.0	3.7	3.3
COP	4.94	4.68	4.43	4.17	4.00	3.87	3.54	3.23	2.98	2.80	2.67	2.60	2.50	2.24	1.98	1.71	1.43

ASZ160301L\* - ASPT37C14A\* + TXV

	OUTDOOR AMBIENT TEMPERATURE																
	65	60	55	50	47	45	40	35	30	25	20	17	15	10	5	0	-5
MBh	39.1	36.4	33.9	31.1	29.4	28.0	24.7	21.7	19.2	17.4	16.0	15.2	14.3	11.9	9.5	7.2	4.8
T/R	35.1	32.9	30.7	28.5	27.2	26.0	22.9	20.1	17.8	16.1	14.8	14.1	13.2	11.0	8.8	6.6	4.4
kW	2.42	2.35	2.27	2.20	2.15	2.12	2.05	1.98	1.90	1.83	1.76	1.71	1.68	1.61	1.54	1.46	1.39
Amps	11.0	10.1	9.3	8.7	8.3	8.1	7.6	7.1	6.7	6.4	6.0	5.8	5.7	5.3	4.9	4.5	4.0
COP	4.73	4.55	4.37	4.15	4.00	3.87	3.53	3.21	2.96	2.78	2.66	2.60	2.48	2.16	1.82	1.43	1.01

ASZ160361L\* - ASPT37C14A\* + TXV

	OUTDOOR AMBIENT TEMPERATURE																
	65	60	55	50	47	45	40	35	30	25	20	17	15	10	5	0	-5
MBh	44.5	41.9	39.2	36.7	35.0	33.8	30.8	28.0	25.6	23.9	22.7	22.0	21.1	19.0	16.8	14.6	12.5
T/R	39.6	37.6	35.6	33.6	32.4	31.3	28.5	25.9	23.7	22.1	21.0	20.4	19.6	17.6	15.6	13.6	11.5
kW	2.62	2.60	2.59	2.57	2.56	2.56	2.54	2.53	2.52	2.50	2.49	2.48	2.47	2.46	2.45	2.43	2.42
Amps	13.3	12.2	11.3	10.5	10.1	9.8	9.2	8.7	8.2	7.8	7.3	7.1	6.9	6.5	6.0	5.5	5.0
COP	4.99	4.72	4.45	4.18	4.00	3.87	3.55	3.24	2.98	2.80	2.67	2.60	2.50	2.26	2.01	1.76	1.51

Above information is for nominal CFM and 70 degree indoor dry bulb. Instantaneous capacity listed.

Goodman Manufacturing Company, L.P. reserves the right to discontinue, or change at any time, specifications or designs without notice or without incurring obligations.

**ASZ160421L\* - ASPT47D14A\* + TXV**

	OUTDOOR AMBIENT TEMPERATURE																
	65	60	55	50	47	45	40	35	30	25	20	17	15	10	5	0	-5
MBh	51.0	47.9	44.9	41.9	40.0	38.6	35.2	31.9	29.2	27.2	25.8	25.0	24.0	21.5	19.0	16.5	14.0
T/R	45.4	43.1	40.7	38.4	37.0	35.8	32.6	29.5	27.0	25.2	23.9	23.1	22.2	19.9	17.6	15.3	13.0
kW	3.31	3.26	3.21	3.16	3.13	3.11	3.05	3.00	2.95	2.90	2.85	2.82	2.80	2.75	2.69	2.64	2.59
Amps	16.4	15.1	14.0	13.0	12.5	12.2	11.4	10.8	10.2	9.6	9.1	8.8	8.6	8.1	7.5	6.9	6.2
COP	4.51	4.31	4.10	3.89	3.75	3.64	3.37	3.11	2.90	2.75	2.65	2.60	2.51	2.29	2.07	1.83	1.58

**ASZ160481L\* - ASPT49D14A\* + TXV**

	OUTDOOR AMBIENT TEMPERATURE																
	65	60	55	50	47	45	40	35	30	25	20	17	15	10	5	0	-5
MBh	62.1	57.9	53.7	49.6	47.0	45.0	40.0	35.5	31.8	29.0	26.9	25.8	24.4	20.9	17.3	13.8	10.3
T/R	55.3	52.0	48.8	45.5	43.5	41.7	37.0	32.8	29.4	26.9	24.9	23.9	22.6	19.3	16.0	12.8	9.5
kW	3.83	3.72	3.62	3.51	3.44	3.40	3.29	3.19	3.08	2.97	2.86	2.80	2.76	2.65	2.54	2.44	2.33
Amps	17.9	16.4	15.2	14.1	13.5	13.2	12.4	11.6	11.0	10.4	9.8	9.5	9.3	8.7	8.1	7.4	6.6
COP	4.75	4.56	4.35	4.14	4.00	3.88	3.56	3.26	3.02	2.86	2.75	2.70	2.59	2.31	2.00	1.66	1.29

**ASZ160601L\* - CAPF4961D6D\* + TXV / MBVC2000AA-1L\***

	OUTDOOR AMBIENT TEMPERATURE																
	65	60	55	50	47	45	40	35	30	25	20	17	15	10	5	0	-5
MBh	76.8	72.1	67.5	62.9	60.0	57.9	52.6	47.5	43.4	40.4	38.2	37.0	35.5	31.6	27.8	24.0	20.1
T/R	68.3	64.8	61.2	57.7	55.6	53.6	48.7	44.0	40.2	37.4	35.4	34.3	32.8	29.3	25.7	22.2	18.6
kW	5.05	4.99	4.92	4.86	4.82	4.79	4.73	4.66	4.60	4.53	4.47	4.43	4.40	4.33	4.27	4.20	4.14
Amps	25.2	23.2	21.4	19.9	19.0	18.5	17.4	16.3	15.4	14.6	13.8	13.3	13.0	12.1	11.3	10.3	9.2
COP	4.45	4.23	4.02	3.80	3.65	3.54	3.26	2.99	2.77	2.61	2.51	2.45	2.36	2.14	1.91	1.67	1.43

Above information is for nominal CFM and 70 degree indoor dry bulb. Instantaneous capacity listed.

Goodman Manufacturing Company, L.P. reserves the right to discontinue, or change at any time, specifications or designs without notice or without incurring obligations.

ASZ160181L* + ASPT29B14A* + TXV				
CONDITIONS: 80 °F IBD, 67 °F IWB @ 600 CFM				
OUTDOOR TEM. ° F.	TOTAL BTU/H	SENSIBLE BTU/H	LATENT BTU/H	TOTAL WATTS
75	19,300	14,089	5,211	1,120
80	19,050	14,189	4,862	1,185
85	18,800	14,288	4,512	1,250
90	18,400	14,164	4,236	1,325
<b>95</b>	<b>18,000</b>	<b>14,040</b>	<b>3,960</b>	<b>1,400</b>
100	17,500	13,820	3,680	1,480
105	17,000	13,600	3,400	1,560
110	16,550	14,850	1,700	1,655
115	16,100	16,100	0	1,750
TVA CONDITIONS @ 95° OD DB, 75° ID DB 63° ID WB				
95°	17,400	13,746	3,654	1,400

ASZ160301L* + ASPT37C14A* + TXV				
CONDITIONS: 80 °F IBD, 67 °F IWB @ 975 CFM				
OUTDOOR TEM. ° F.	TOTAL BTU/H	SENSIBLE BTU/H	LATENT BTU/H	TOTAL WATTS
75	30,900	22,557	8,343	1,770
80	30,500	22,717	7,784	1,880
85	30,100	22,876	7,224	1,990
90	29,450	22,670	6,780	2,110
<b>95</b>	<b>28,800</b>	<b>22,464</b>	<b>6,336</b>	<b>2,230</b>
100	28,000	22,112	5,888	2,365
105	27,200	21,760	5,440	2,500
110	26,450	21,803	4,648	2,660
115	25,700	21,845	3,855	2,820
TVA CONDITIONS @ 95° OD DB, 75° ID DB 63° ID WB				
95°	27,800	21,962	5,838	2,240

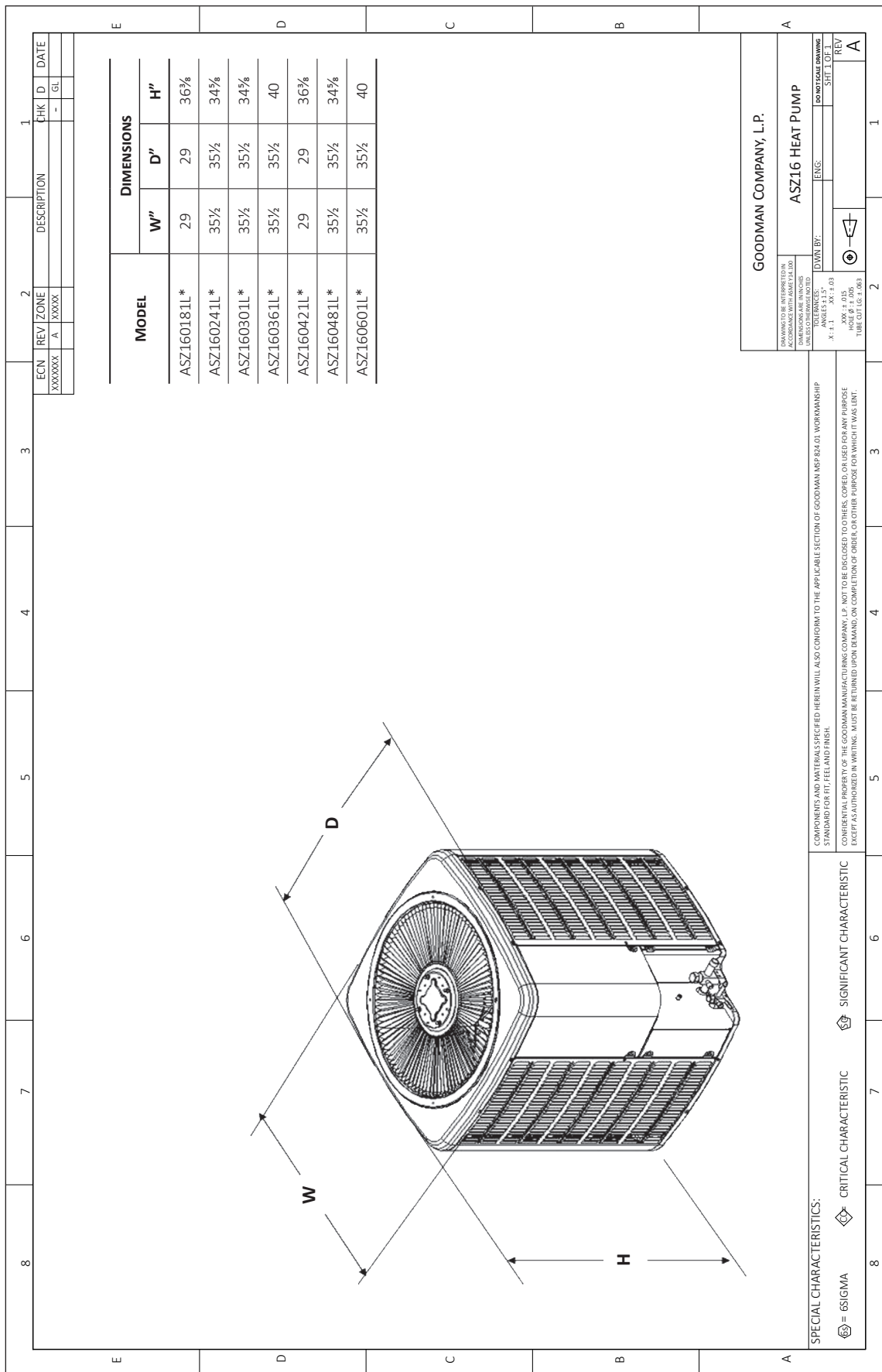
ASZ160421L* + ASPT47D14A* + TXV				
CONDITIONS: 80 °F IBD, 67 °F IWB @ 1140 CFM				
OUTDOOR TEM. ° F.	TOTAL BTU/H	SENSIBLE BTU/H	LATENT BTU/H	TOTAL WATTS
75	41,800	28,842	12,958	2,400
80	41,300	28,905	12,395	2,550
85	40,800	28,968	11,832	2,700
90	39,900	28,719	11,181	2,860
<b>95</b>	<b>39,000</b>	<b>28,470</b>	<b>10,530</b>	<b>3,020</b>
100	37,900	28,035	9,865	3,205
105	36,800	27,600	9,200	3,390
110	35,800	27,720	8,080	3,615
115	34,800	27,840	6,960	3,840
TVA CONDITIONS @ 95° OD DB, 75° ID DB 63° ID WB				
95°	37,600	27,824	9,776	3,030

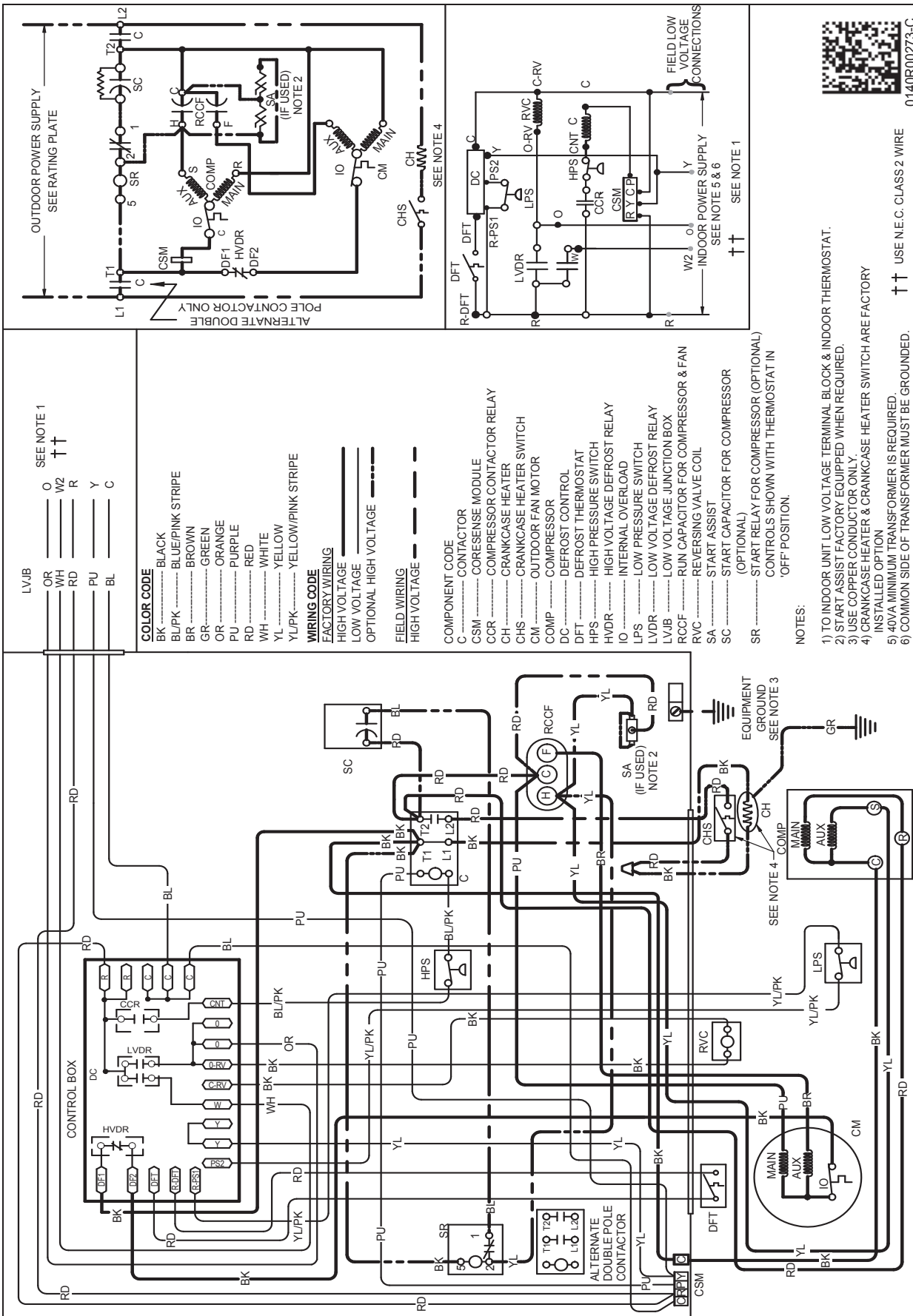
ASZ160601L* - CAPF4961D6D* + TXV/ MBVC2000AA-1L*				
CONDITIONS: 80 °F IBD, 67 °F IWB @ 1850 CFM				
OUTDOOR TEM. ° F.	TOTAL BTU/H	SENSIBLE BTU/H	LATENT BTU/H	TOTAL WATTS
75	60,600	44,238	16,362	3,610
80	59,850	44,282	15,569	3,840
85	59,100	44,325	14,775	4,070
90	57,800	43,915	13,885	4,315
<b>95</b>	<b>56,500</b>	<b>43,505</b>	<b>12,995</b>	<b>4,560</b>
100	54,900	42,806	12,094	4,835
105	53,300	42,107	11,193	5,110
110	51,900	42,264	9,637	5,430
115	50,500	42,420	8,080	5,750
TVA Conditions @ 95° OD DB, 75° ID DB 63° ID WB				
95°	54,500	42,510	11,990	4,560

ASZ160241L* + ASPT29B14A* + TXV				
CONDITIONS: 80 °F IBD, 67 °F IWB @ 800 CFM				
OUTDOOR TEM. ° F.	TOTAL BTU/H	SENSIBLE BTU/H	LATENT BTU/H	TOTAL WATTS
75	25,700	18,761	6,939	1,490
80	25,400	18,919	6,482	1,580
85	25,100	19,076	6,024	1,670
90	24,550	18,898	5,652	1,765
<b>95</b>	<b>24,000</b>	<b>18,720</b>	<b>5,280</b>	<b>1,860</b>
100	23,350	18,440	4,910	1,970
105	22,700	18,160	4,540	2,080
110	22,050	18,175	3,875	2,205
115	21,400	18,190	3,210	2,330
TVA CONDITIONS @ 95° OD DB, 75° ID DB 63° ID WB				
95°	23,100	18,249	4,851	1,860

ASZ160361L* + ASPT37C14A* + TXV				
CONDITIONS: 80 °F IBD, 67 °F IWB @ 1060 CFM				
OUTDOOR TEM. ° F.	TOTAL BTU/H	SENSIBLE BTU/H	LATENT BTU/H	TOTAL WATTS
75	36,700	26,424	10,276	2,090
80	36,250	26,637	9,613	2,225
85	35,800	26,850	8,950	2,360
90	35,000	26,592	8,408	2,505
<b>95</b>	<b>34,200</b>	<b>26,334</b>	<b>7,866</b>	<b>2,650</b>
100	33,250	25,926	7,325	2,815
105	32,300	25,517	6,783	2,980
110	31,400	25,569	5,832	3,170
115	30,500	25,620	4,880	3,360
TVA CONDITIONS @ 95° OD DB, 75° ID DB 63° ID WB				
95°	33,000	25,740	7,260	2,660

ASZ160481L* + ASPT49D14A* + TXV				
CONDITIONS: 80 °F IBD, 67 °F IWB @ 1400 CFM				
OUTDOOR TEM. ° F.	TOTAL BTU/H	SENSIBLE BTU/H	LATENT BTU/H	TOTAL WATTS
75	48,800	34,160	14,640	2,800
80	48,200	34,454	13,746	2,975
85	47,600	34,748	12,852	3,150
90	46,550	34,437	12,114	3,340
<b>95</b>	<b>45,500</b>	<b>34,125</b>	<b>11,375</b>	<b>3,530</b>
100	44,250	33,618	10,633	3,740
105	43,000	33,110	9,890	3,950
110	41,800	33,201	8,599	4,200
115	40,600	33,292	7,308	4,450
TVA CONDITIONS @ 95° OD DB, 75° ID DB 63° ID WB				
95°	43,900	33,364	10,536	3,530





LVJB O SEE NOTE 1  
 WH W2 ††  
 RD R  
 PU Y  
 BL C

**COLOR CODE**  
 BK BLACK  
 BL/PK BLUE/PINK STRIPE  
 BR BROWN  
 GR GREEN  
 OR ORANGE  
 PU PURPLE  
 RD RED  
 WH WHITE  
 YL YELLOW  
 YL/PK YELLOW/PINK STRIPE

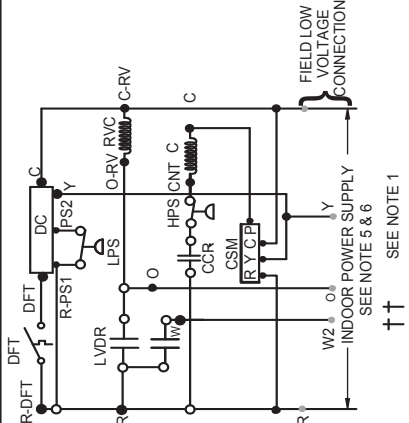
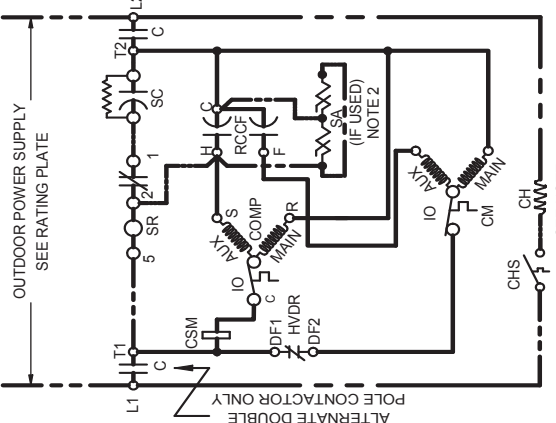
**WIRING CODE**  
 FACTORY WIRING  
 HIGH VOLTAGE  
 LOW VOLTAGE  
 OPTIONAL HIGH VOLTAGE

**FIELD WIRING**  
 HIGH VOLTAGE  
 LOW VOLTAGE

**COMPONENT CODE**  
 C CONTACTOR  
 CSM CORESENSE MODULE  
 CCR COMPRESSOR CONTACTOR RELAY  
 CH CRANKCASE HEATER  
 CHS CRANKCASE HEATER SWITCH  
 CM OUTDOOR FAN MOTOR  
 COMP COMPRESSOR  
 DC DEFROST CONTROL  
 DFT DEFROST THERMOSTAT  
 HPS HIGH PRESSURE SWITCH  
 HVDR HIGH VOLTAGE DEFROST RELAY  
 IO INTERNAL OVERLOAD  
 LPS LOW PRESSURE SWITCH  
 LVDR LOW VOLTAGE DEFROST RELAY  
 LVJB LOW VOLTAGE JUNCTION BOX  
 RCCF RUN CAPACITOR FOR COMPRESSOR & FAN  
 RVC REVERSING VALVE COIL  
 SA START ASSIST  
 SC START CAPACITOR FOR COMPRESSOR (OPTIONAL)  
 SR START RELAY FOR COMPRESSOR (OPTIONAL)  
 CONTROLS SHOWN WITH THERMOSTAT IN 'OFF' POSITION.

**NOTES:**  
 1) TO INDOOR UNIT LOW VOLTAGE TERMINAL BLOCK & INDOOR THERMOSTAT.  
 2) START ASSIST FACTORY EQUIPPED WHEN REQUIRED.  
 3) USE COPPER CONDUCTOR ONLY.  
 4) CRANKCASE HEATER & CRANKCASE HEATER SWITCH ARE FACTORY INSTALLED OPTION.  
 5) 40VA MINIMUM TRANSFORMER IS REQUIRED.  
 6) COMMON SIDE OF TRANSFORMER MUST BE GROUNDED.

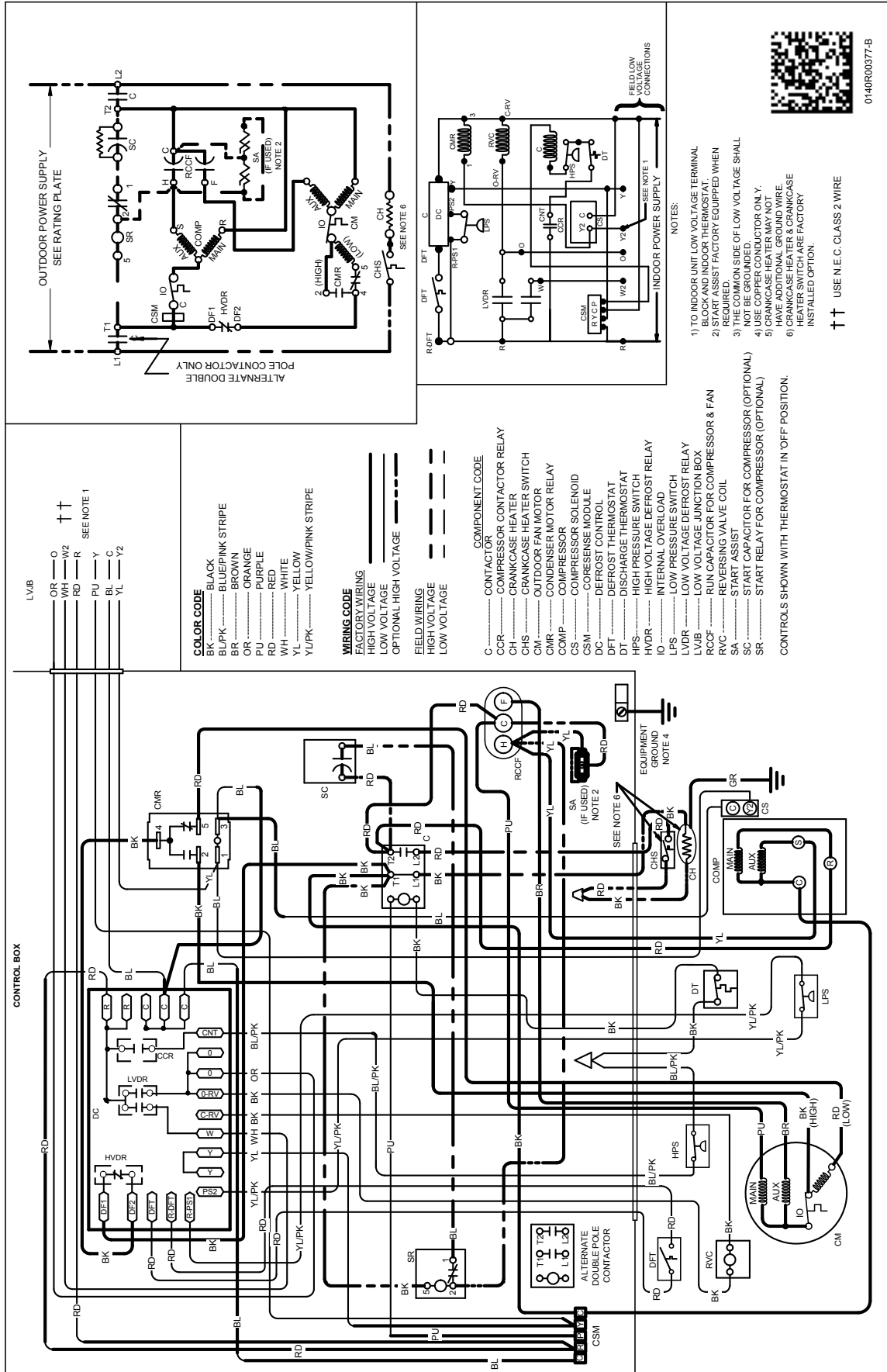
†† USE N.E.C. CLASS 2 WIRE



0140R00273-C

Wiring is subject to change. Always refer to the wiring diagram or the unit for the most up-to-date wiring.

**WARNING**  
 High Voltage: Disconnect all power before servicing or installing this unit. Multiple power sources may be present. Failure to do so may cause property damage, personal injury, or death.



Wiring is subject to change. Always refer to the wiring diagram or the unit for the most up-to-date wiring.

**WARNING**

**High Voltage:** Disconnect all power before servicing or installing this unit. Multiple power sources may be present. Failure to do so may cause property damage, personal injury, or death.

MODEL #	DESCRIPTION	ASZ16 018	ASZ16 024	ASZ16 030	ASZ16 036	ASZ16 042	ASZ16 048	ASZ16 060
ABK-20	Anchor Bracket Kit*	X	X	X	X	X	X	X
CSR-U-1	Hard-start Kit	X	X	X	X			
CSR-U-2	Hard-start Kit					X	X	X
CSR-U-3	Hard-start Kit						X	X
FSK01A <sup>1</sup>	Freeze Protection Kit	X	X	X	X	X	X	X
LAKT01A	Low-Ambient Kit	X	X	X	X	X	X	X
OT18-60A <sup>2</sup>	Outdoor Thermostat w/ Lockout Stat	X	X	X	X	X	X	X
TX2N4A <sup>3</sup>	TXV Kit	X	X					
TX3N4	TXV Kit			X	X			
TX5N4	TXV Kit					X	X	X

<sup>0</sup> Contains 20 brackets; four brackets needed to anchor unit to pad

<sup>1</sup> Installed on indoor coil

<sup>2</sup> Required for heat pump applications where ambient temperatures fall below 0°F with 50% or higher relative humidity.

<sup>3</sup> Condensing units and heat pumps with reciprocating or rotary compressors require the use of start-assist components when used in conjunction with an indoor coil using a non-bleed thermal expansion valve refrigerant metering device or liquid line solenoid kit. The TXV should always be sized based on the tonnage of the outdoor unit.

**All AHRI system ratings are accessible in the System Configurator tool via PartnerLink.**